

INSTRUMENT VALVE



IDEAL

VALVES AND FITTINGS COMPANY

IDEAL Valves & Fittings Co., is the designer and manufacturer of stainless steel (SS) Valve Manifolds, Needle valves, Tube Fittings, Pipe Fittings, Ball Valves, Isolation Valves and Special Accessories used in Instrumentation, Hydraulics, Pneumatics with great care to meet the specifications required for a wide range of applications in Oil & Gas Industries, Chemical and Petrochemicals, Power generation, Agrochemicals, Pharmaceuticals & Vacuum Applications.

Ideal Valves and Fitting co. based in Mumbai, Maharashtra, the financial capital of India.

MISSION

The mission of Ideal Valves & Fittings Co., having commitment to deliver products and services to customers to meet their requirements and expectation by providing quality products and very timely service. We are focussing on long term commitment to the industry and our customers, which is achievable through collective Experience, Quality, Reliability and Improvement.

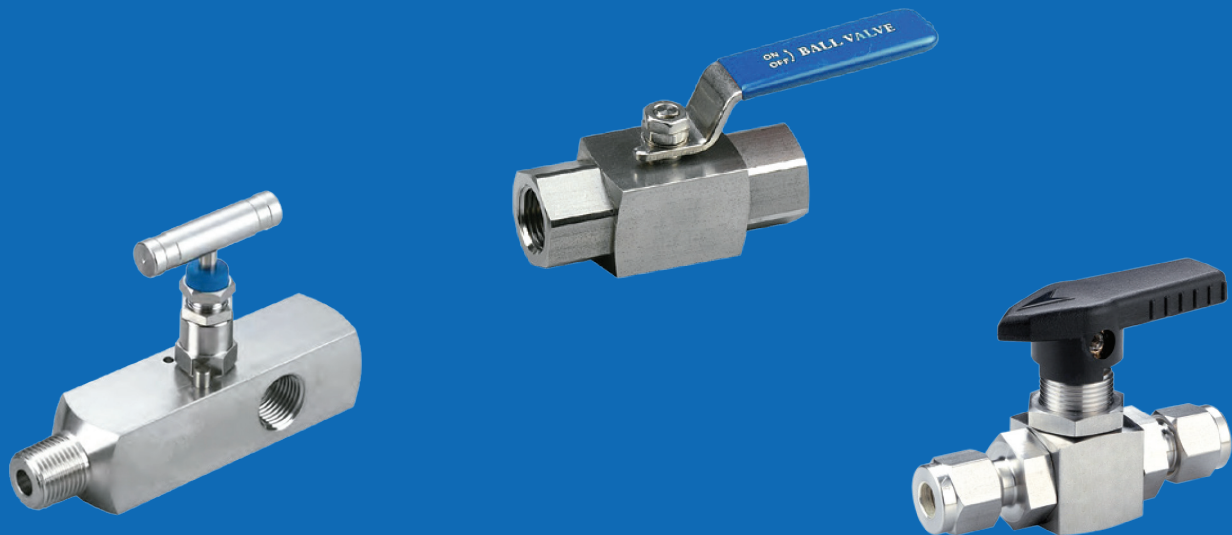
VISION

Ideal Valves & Fittings Co., has a vision based on its commitment of continuous improvement and product innovation to meet industry requirements through customer feedback. The Company committed to provide the best possible solution to customer by quality products and services.

We offer a wide range of service to our clients. Procurement of raw materials from qualified and approved vendors and with complete traceability and test certificates. Ideal Valves and Fitting Co., is the one – stop for all your valves & fittings needs; our marketing and manufacturing experience will help our customer to achieve the accurate and anticipated solution swiftly.

IDEAL products are undergone stringent quality control test under qualified personals using inhouse laboratory facilities. All valves tested according to AN-SI-B16.5 by using test medium the air, hydrogen and helium.





IDEALLOK Valves



IDEAI VALVES AND FITTINGS COMPANY has been delivering quality products with high precision and excellence to its customers to meet industry requirements. It produced wide range of valves and accessories with precision using technically advanced machineries and manufacturing process. All the products are tested in house quality control facility and assure the product quality to meet international standards and safety norms.

IDEAI VALVES AND FITTINGS COMPANY, focusing in provide best customer service and reliable products. We committed to continual improvement throughout our establishment by adopting new technologies.





IDEALLOK Ball Valves

Ball valves are preferred where the full flow and less operational torque is required.
Ball valves are suitable for water, oil, or gas application. These valves are not suitable for flow throttling purpose.
Valves shall be open position during system test to prevent from valve seat damage.

⚠ WARNING:

When selecting a product, the system designer shall ensure the safe performance of the system. The system Designer and User shall responsible for Function, material compatibility, adequate rating, proper installation, safe operation and maintenance of the system.

LOW PRESSURE BALL VALVES (Compact)

LP-H Series-Hex. Single body

PRESSURE RANGE UP TO 2000 PSI

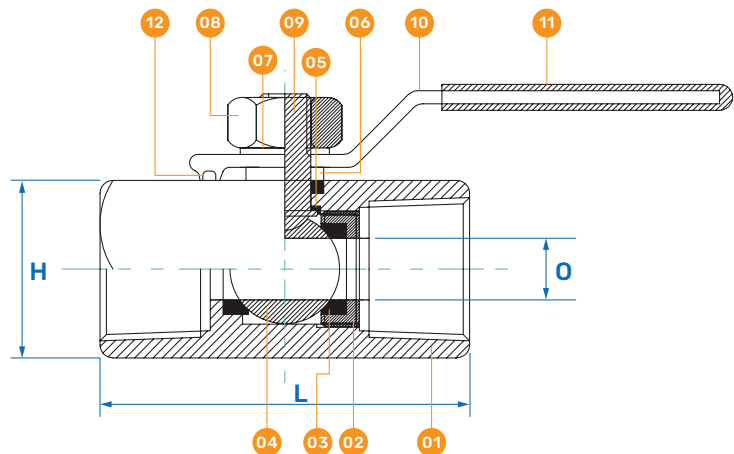
LP-H series ball valves are manufactured from High Integrity barstock and it proven to be better than valves from cast materials. The design of these valves offers safe operation other than economically beneficial that the internals are being inserted through threads. It offers a single body design and reduces potential leak path. LPCH ball valves are suitable for wide range of application specifically for water, oil and gases. Valves are available with T bar or Lever handle.

Valve Features

- Manufactured from high integrity barstock material SS 304L/SS 316 L.
- Economical design.
- One piece Body Design which prevents accidental removal of internals when installing and removing of valves from pipe line.
- Compact and reduced weight.
- Low torque and smooth 90o operation.
- Bi-directional floating ball design which ensure
- leak-proof shut-off on pressure or vacuum.
- Anti-blow out stem with shoulder design (internally Loaded) for safety and seal integrity.
- Temperature rating -50oC to 150oC.
- Pressure rating up to 2000 PSI.
- Full material traceability.
- 100% hydrostatically tested.
- Handle indicates open/ close position.
- Available NPT or BSPP thread end connection.

Components Key

Sl. No.	Description	Material	Quantity No.
1	Valve Body	SS 316	1
2	Chuck Nut	SS 316	1
3	Seat	PTFE	2
4	Ball	SS 316	1
5	Stem Seal	PTFE	2
6	Gland	SS 316	1
7	Spring Washer	SS 304	1
8	Lock Nut	SS 304	1
9	Stem	SS 316	1
10	Handle	SS 304	1
11	Sleeve	PVC	1
12	Pin	SS 304	1



LP-H Series -NPT-2000PSI

Part no.	Con- nection -Inch Female	L-Valve Length mm	O-Bore mm	H-Hex. mm
IV-LP-H-BV-1-N4F-F	1/4	48.00	6.00	19.00
IV-LP-H-BV-1-N6F-F	3/8	48.00	8.00	22.00
IV-LP-H-BV-1-N8F-F	1/2	58.00	10.00	28.00
IV-LP-H-BV-1-N12F-F	3/4	64.00	13.00	36.00
IV-LP-H-BV-1-N16F-F	1	71.00	16.00	41.00
IV-LP-H-BV-1-N20F-F	1 1/4	87.00	18.00	50.00
IV-LP-H-BV-1-N24F-F	1 1/2	90.00	20.00	63.00
IV-LP-H-BV-1-N32F-F	2	114.00	25.00	70.00

LP-H Series -BSPP-2000PSI

Part no.	Con- nection -Inch Female	L-Valve Length mm	O-Bore mm	H-Hex. mm
IV-LP-H-BV-1-G4F-F	1/4	48.00	6.00	19.00
IV-LP-H-BV-1-G6F-F	3/8	48.00	8.00	22.00
IV-LP-H-BV-1-G8F-F	1/2	58.00	10.00	28.00
IV-LP-H-BV-1-G12F-F	3/4	64.00	13.00	36.00
IV-LP-H-BV-1-G16F-F	1	71.00	16.00	41.00
IV-LP-H-BV-1-G20F-F	1 1/4	87.00	18.00	50.00
IV-LP-H-BV-1-G24F-F	1 1/2	90.00	20.00	63.00
IV-LP-H-BV-1-G32F-F	2	114.00	25.00	70.00

Note: Products Conform to NACE MR 0175 and from other materials available on request

MEDIUM PRESSURE BALL VALVES

MP-R Series- Round body-2 piece

RANGE 3000 PSI

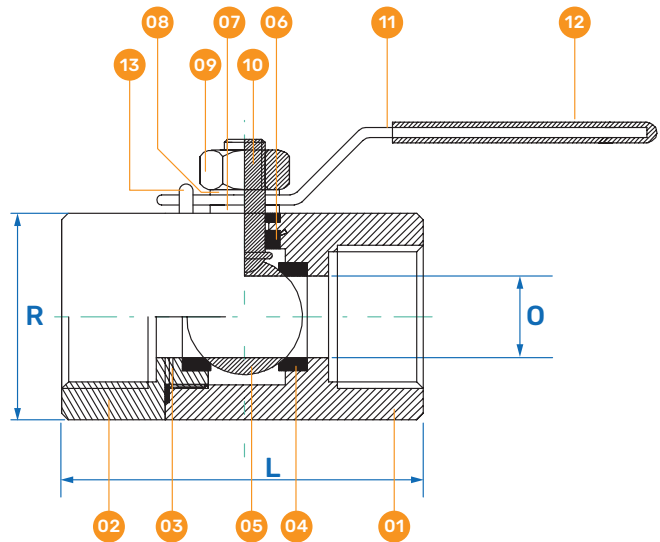
MP-R series ball valves are manufactured from High Integrity barstock and two piece design. MPR series valves having flexible design and many possible combinations of end connections are available.

Valve Features

- Manufactured from high integrity barstock material SS 304L/SS 316 L.
- Two piece and flexible Body Design.
- Low torque and smooth 90o operation.
- Bi-directional floating ball design which ensure leak-proof shut-off on pressure or vacuum.
- Anti-blow out stem with shoulder design (internally Loaded) for safety and seal integrity.
- Temperature rating -50oC to 230oC.
- Pressure rating up to 3000 PSI.
- Full material traceability.
- 100% hydrostatically tested.
- Handle indicates open/ close position.
- Available NPT or BSPP thread end connection.

Components Key

Sl. No.	Description	Material	Quantity No.
1	Valve Body	SS 316	1
2	End Connector	SS 316	1
3	Body Gasket	PTFE	1
4	Seat	PTFE	2
5	Ball	SS 316	1
6	Stem Seal	PTFE	2
7	Gland	SS 316	1
8	Spring Washer	SS 304	1
9	Lock Nut	SS 304	1
10	Stem	SS 316	1
11	Handle	SS 304	1
12	Sleeve	PVC	1
13	Pin	SS 304	1



MP-R Series-NPT-3000 PSI

Part no.	Con- nection -Inch Female	L-Valve Length mm	O-Bore mm	R-OD mm
IV-MP-R-BV-2-N2F-F	1/8	55.00	4.00	27.00
IV-MP-R-BV-2-N4F-F	1/4	58.00	6.00	30.00
IV-MP-R-BV-2-N6F-F	3/8	58.00	8.00	30.00
IV-MP-R-BV-2-N8F-F	1/2	70.00	10.00	35.00
IV-MP-R-BV-2-N12F-F	3/4	75.00	12.00	42.00
IV-MP-R-BV-2-N16F-F	1	85.00	18.00	48.00
IV-MP-R-BV-2-N20F-F	1 1/4	100.00	20.00	62.00
IV-MP-R-BV-2-N24F-F	1 1/2	105.00	22.00	66.00
IV-MP-R-BV-2-N32F-F	2	120.00	25.00	85.00

MP-R Series-BSPP-3000 PSI

Part no.	Con- nection -Inch Female	L-Valve Length mm	O-Bore mm	R-OD mm
IV-MP-R-BV-2-G2F-F	1/8	55.00	4.00	27.00
IV-MP-R-BV-2-G4F-F	1/4	58.00	6.00	30.00
IV-MP-R-BV-2-G6F-F	3/8	58.00	8.00	30.00
IV-MP-R-BV-2-G8F-F	1/2	70.00	10.00	35.00
IV-MP-R-BV-2-G12F-F	3/4	75.00	12.00	42.00
IV-MP-R-BV-2-G16F-F	1	85.00	18.00	48.00
IV-MP-R-BV-2-G20F-F	1 1/4	100.00	20.00	62.00
IV-MP-R-BV-2-G24F-F	1 1/2	105.00	22.00	66.00
IV-MP-R-BV-2-G32F-F	2	120.00	25.00	85.00

Note: Products Conform to NACE MR 0175 and from other materials available on request

MEDIUM PRESSURE BALL VALVES

MP-S Series- Square body-3 piece- Single nut panel mounting

RANGE 3000 PSI

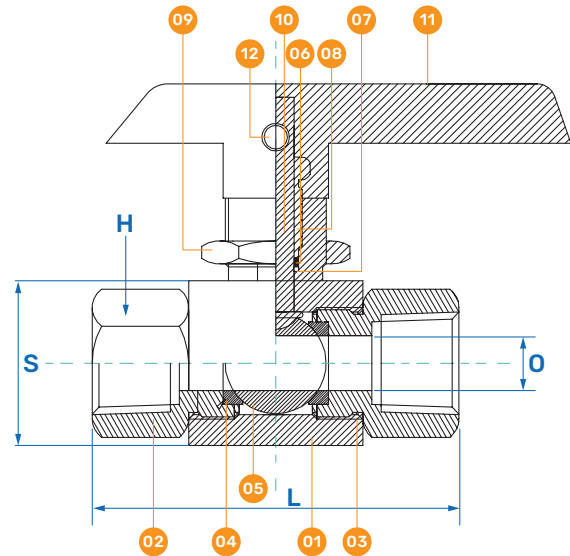
MP-S series Single nut panel mount ball valves are manufactured from High Integrity barstock and three piece design. The single nut and compact design allows fast mounting of valves and easy installation. Maximum allowed panel thickness is 10mm.

Valve Features

- Manufactured from high integrity barstock material SS 304L/ 316 L.
- Three piece Body Design.
- Single nut panel mounting facility for ease installation.
- Low torque and smooth 90o operation.
- Bi-directional floating ball design which ensure leak-proof shut-off on pressure or vacuum.
- Anti-blow out stem with shoulder design (internally Loaded) for safety and seal integrity.
- Temperature rating -50oC to 230oC.
- Pressure rating up to 3000 PSI.
- Full material traceability.
- 100% hydrostatically tested.
- Handle indicates open/ close position.
- Available NPT or BSPP thread end connection.

Components Key

Sl. No.	Description	Material	Quantity No.
1	Valve Body	SS 316	1
2	End Connector	SS 316	2
3	Body Gasket	PTFE	2
4	Seat	PTFE	2
5	Ball	SS 316	1
6	Gland Seal	PTFE	1
7	Gland Washer	SS 316	1
8	Gland Adjuster	SS 316	1
9	Panel Nut	SS 304	1
10	Stem	SS 316	1
11	Handle	Plastic	1
12	Grub Screw	SS 304	1



MP-S Series –NPT-3000PSI

Part no.	Con. -Inch Female	L-Valve Length mm	O-Bore mm	H-Hex. mm	S mm
IV-MP-S-PBV-3-2N2F-F	1/8	60.00	4.00	19.00	25.00
IV-MP-S-PBV-3-2N4F-F	1/4	65.00	6.00	22.00	25.00
IV-MP-S-PBV-3-2N6F-F	3/8	65.00	8.00	25.00	28.00
IV-MP-S-PBV-3-2N8F-F	1/2	95.00	10.00	28.00	32.00
IV-MP-S-PBV-3-2N12F-F	3/4	95.00	12.00	36.00	40.00
IV-MP-S-PBV-3-2N16F-F	1	110.00	18.00	41.00	50.00

MP-S Series –BSPP-3000PSI

Part no.	Con. -Inch Female	L-Valve Length mm	O-Bore mm	H-Hex. mm	S mm
IV-MP-S-PBV-3-2G2F-F	1/8	60.00	4.00	19.00	25.00
IV-MP-S-PBV-3-2G4F-F	1/4	65.00	6.00	22.00	25.00
IV-MP-S-PBV-3-2G6F-F	3/8	65.00	8.00	25.00	28.00
IV-MP-S-PBV-3-2G8F-F	1/2	95.00	10.00	28.00	32.00
IV-MP-S-PBV-3-2G12F-F	3/4	95.00	12.00	36.00	40.00
IV-MP-S-PBV-3-2G16F-F	1	110.00	18.00	41.00	50.00

Note: Products Conform to NACE MR 0175 and from other materials available on request

TWO WAY BALL VALVE

MP-S Series- Square body-Panel mounting (Compression Fitting Connection)

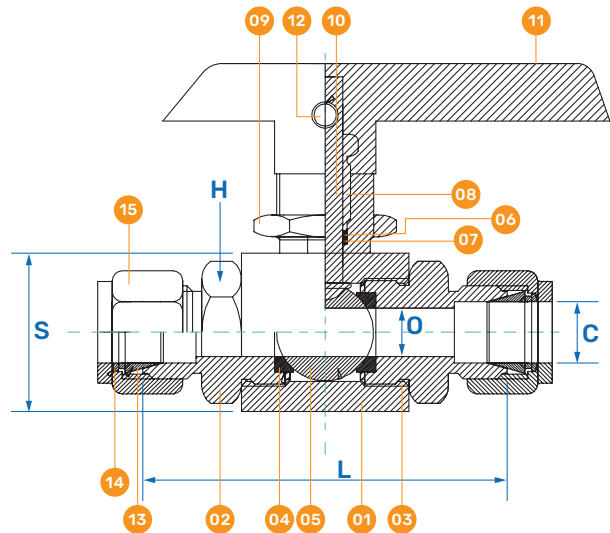
RANGE 3000 PSI

Valve Features

- Manufactured from high integrity barstock material SS 304L/ 316 L.
- Three piece Body Design.
- Single nut panel mounting facility for ease installation.
- Low torque and smooth 90o operation.
- Bi-directional floating ball design which ensure leak-proof shut-off on pressure or vacuum.
- Anti-blow out stem with shoulder design (internally Loaded) for safety and seal integrity.
- Temperature rating -50oC to 230oC.
- Pressure rating up to 3000 PSI.
- Full material traceability.
- 100% hydrostatically tested.
- Handle indicates open/ close position.
- Available Inch or Metric Tube end connection.

Components Key

Sl. No.	Description	Material	Quantity No.
1	Valve Body	SS 316	1
2	End Connector	SS 316	2
3	Body Gasket	PTFE	2
4	Seat	PTFE	2
5	Ball	SS 316	1
6	Gland Seal	PTFE	1
7	Gland Washer	SS 316	1
8	Gland Adjuster	SS 316	1
9	Panel Nut	SS 304	1
10	Stem	SS 316	1
11	Handle	Plastic	1
12	Grub Screw	SS 304	1
13	Front Ferrule	SS 316	2
14	Back Ferrule	SS 316	2
15	Nut	SS 316	2



MP-S Series –NPT-3000PSI

Part no.	Con. -Inch Tube	L-Valve Length mm	O-Bore mm	H-Hex. mm	S mm
IV-MP-S-PBV-3-2N2	1/8	60.00	4.00	12.00	25.00
IV-MP-S-PBV-3-2N4	1/4	65.00	6.00	17.00	25.00
IV-MP-S-PBV-3-2N6	3/8	65.00	8.00	19.00	28.00
IV-MP-S-PBV-3-2N8	1/2	95.00	10.00	20.50	32.00
IV-MP-SP-PBV-3-2N12	3/4	95.00	12.00	30.00	40.00
IV-MP-S-PBV-3-2N16	1	95.00	18.00	38.00	50.00

MP-S Series –BSPP-3000PSI

Part no.	Con. -mm Tube	L-Valve Length mm	O-Bore mm	H-Hex. mm	S mm
IV-MP-S-PBV-3-2M4	6mm	65.00	5.00	14.00	25.00
IV-MP-S-PBV-3-2M6	8mm	65.00	6.00	17.00	28.00
IV-MP-S-PBV-3-2M8	10mm	78.00	8.00	19.00	32.00
IV-MP-S-PBV-3-2M12	12mm	95.00	9.00	20.50	40.00

Note: Products Conform to NACE MR 0175 and from other materials available on request

THREE WAY BALL VALVE

MP-S Series- Square body-Panel mounting (Compression Fitting Connection)

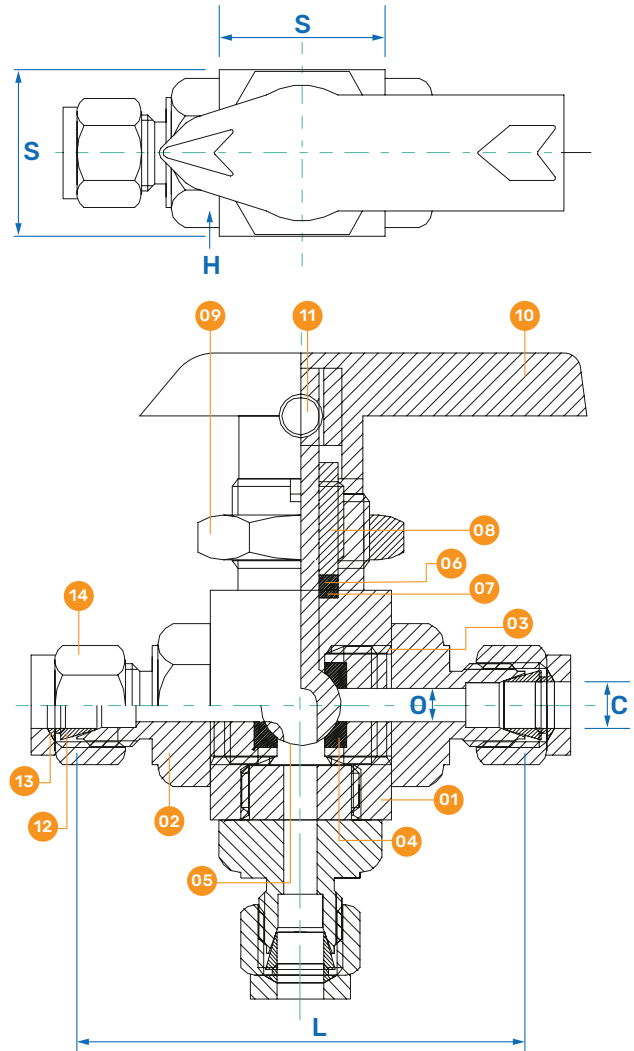
RANGE 3000 PSI

Valve Features

- Manufactured from high integrity barstock material SS 304L/ 316 L.
- Single nut panel mounting facility for ease installation.
- Low torque and smooth 90o operation.
- Bi-directional floating ball design which ensure leak-proof shut-off on pressure or vacuum.
- Anti-blow out stem with shoulder design (internally Loaded) for safety and seal integrity.
- Temperature rating -50oC to 230oC.
- Pressure rating up to 3000 PSI.
- Full material traceability.
- 100% hydrostatically tested.
- Handle indicates open/ close position.
- Available Inch or Metric Tube end connection.

Components Key

Sl. No.	Description	Material	Quantity No.
1	Valve Body	SS 316	1
2	End Connector	SS 316	3
3	Body Gasket	PTFE	3
4	Seat	PTFE	3
5	Ball and Stem	SS 316	1
6	Gland Seal	PTFE	1
7	Gland Washer	SS 316	1
8	Gland Adjuster	SS 316	1
9	Panel Nut	SS 304	1
10	Handle	Plastic	1
11	Grub Screw	SS 304	1
12	Front Ferrule	SS 316	3
13	Back Ferrule	SS 316	3
14	Nut	SS 316	3



MP-S Series -Tube Inch-3000PSI

Part no.	Con. -Inch Tube	L-Valve Length mm	O-Bore mm	H-Hex. mm	S mm
IV-MP-S-PBV-4-3N2	1/8	60.00	4.00	12.00	25.00
IV-MP-S-PBV-4-3N4	1/4	65.00	6.00	17.00	25.00
IV-MP-S-PBV-4-3N6	3/8	65.00	8.00	19.00	28.00
IV-MP-S-PBV-4-3N8	1/2	95.00	10.00	20.50	32.00
IV-MP-SP-PBV-4-3N12	3/4	95.00	12.00	30.00	40.00
IV-MP-S-PBV-4-3N16	1	95.00	18.00	38.00	50.00

MP-S Series -NPT-3000PSI

Part no.	Con. -Inch Female	L-Valve Length mm	O-Bore mm	H-Hex. mm	S mm
IV-MP-S-PBV-4-3N2F-F	1/8	60.00	4.00	14.00	25.00
IV-MP-S-PBV-4-3N4F-F	1/4	65.00	6.00	19.00	25.00
IV-MP-S-PBV-4-3N6F-F	3/8	65.00	8.00	22.00	28.00
IV-MP-S-PBV-4-3N8F-F	1/2	95.00	10.00	27.00	32.00
IV-MP-SP-PBV-4-3N12F-F	3/4	95.00	12.00	32.00	40.00
IV-MP-S-PBV-4-3N16F-F	1	105.00	18.00	38.00	50.00

Note: Products Conform to NACE MR 0175 and from other materials available on request

FIVE WAY BALL VALVE

MP-S Series- Square body-Panel mounting (Compression Fitting Connection)

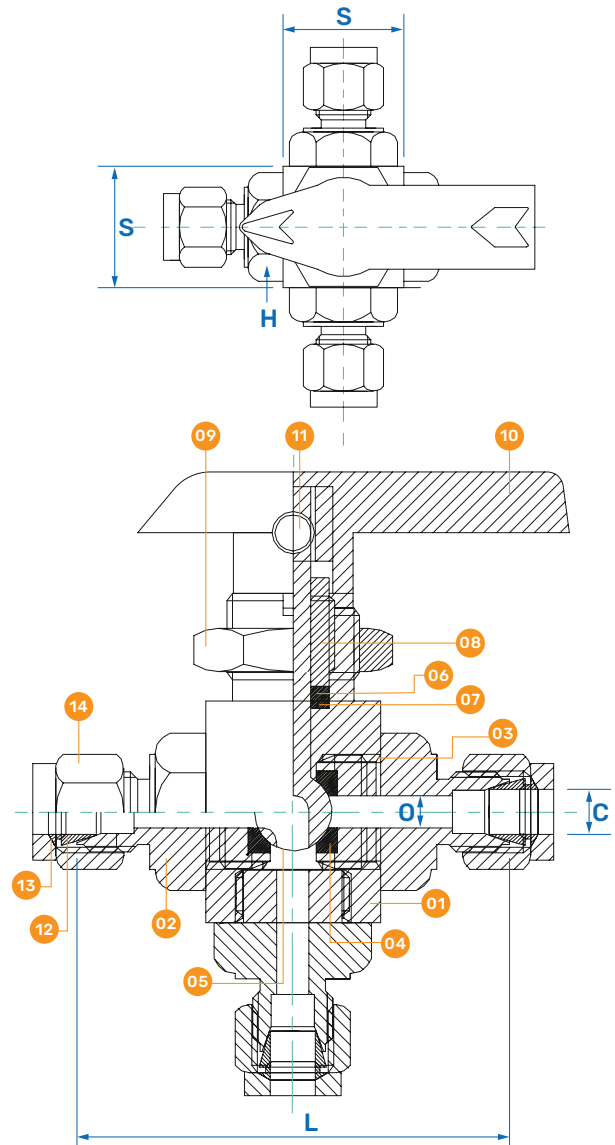
RANGE 3000 PSI

Valve Features

- Manufactured from high integrity barstock material SS 304L/ 316 L.
- Single nut panel mounting facility for ease installation.
- Low torque and smooth 90o operation.
- Bi-directional floating ball design which ensure leak-proof shut-off on pressure or vacuum.
- Anti-blow out stem with shoulder design (internally Loaded) for safety and seal integrity.
- Temperature rating -50oC to 230oC.
- Pressure rating up to 3000 PSI.
- Full material traceability.
- 100% hydrostatically tested.
- Handle indicates open/ close position.
- Available Inch or Metric Tube end connection.

Components Key

Sl. No.	Description	Material	Quantity No.
1	Valve Body	SS 316	1
2	End Connector	SS 316	3
3	Body Gasket	PTFE	3
4	Seat	PTFE	3
5	Ball and Stem	SS 316	1
6	Gland Seal	PTFE	1
7	Gland Washer	SS 316	1
8	Gland Adjuster	SS 316	1
9	Panel Nut	SS 304	1
10	Handle	Plastic	1
11	Grub Screw	SS 304	1
12	Front Ferrule	SS 316	3
13	Back Ferrule	SS 316	3
14	Nut	SS 316	3



MP-S Series -Tube Inch-3000PSI

Part no.	Con. -Inch Tube	L-Valve Length mm	O-Bore mm	H-Hex. mm	S mm
IV-MP-S-PBV-4-5N2	1/8	60.00	4.00	12.00	25.00
IV-MP-S-PBV-4-5N4	1/4	65.00	6.00	17.00	25.00
IV-MP-S-PBV-4-5N6	3/8	65.00	8.00	19.00	28.00
IV-MP-S-PBV-4-5N8	1/2	95.00	10.00	20.50	32.00
IV-MP-S-PBV-4-5N12	3/4	95.00	12.00	30.00	40.00
IV-MP-S-PBV-4-5N16	1	95.00	18.00	38.00	50.00

MP-S Series -NPT-3000PSI

Part no.	Con. -Inch Female	L-Valve Length mm	O-Bore mm	H-Hex. mm	S mm
IV-MP-S-PBV-4-5N2F-F	1/8	60.00	4.00	14.00	25.00
IV-MP-S-PBV-4-5N4F-F	1/4	65.00	6.00	19.00	25.00
IV-MP-S-PBV-4-5N6F-F	3/8	65.00	8.00	22.00	28.00
IV-MP-S-PBV-4-5N8F-F	1/2	95.00	10.00	27.00	32.00
IV-MP-S-PBV-4-5N12F-F	3/4	95.00	12.00	32.00	40.00
IV-MP-S-PBV-4-5N16F-F	1	105.00	18.00	38.00	50.00

Note: Products Conform to NACE MR 0175 and from other materials available on request

HIGH PRESSURE BALL VALVES

HP-S Series-Square body -3piece

RANGE UP TO 6000 PSI

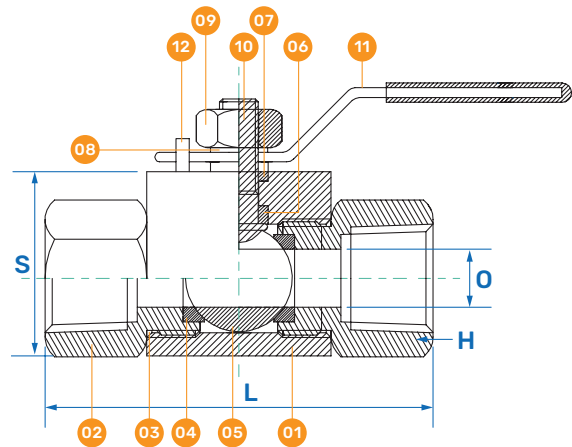
HP-S series ball valves are manufactured from High Integrity barstock and three piece design. It flexible design offers easy maintenance.

Valve Features

- Manufactured from high integrity barstock materials 304L/ SS 316 L.
- Three piece Body Design.
- Choice of panel mounting model (optional) for ease installation.
- Low torque and smooth 90o operation.
- Bi-directional floating ball design which ensure leak-proof shut-off on pressure or vacuum.
- Anti-blow out stem with shoulder design (internally Loaded) for safety and seal integrity.
- Temperature rating -20oC to 250oC.
- Pressure rating up to 6000 PSI.
- Full material traceability.
- 100% hydrostatically tested.
- Handle indicates open/ close position.
- Available NPT or BSPP thread end connection.

Components Key

Sl. No.	Description	Material	Quantity No.
1	Valve Body	SS 316	1
2	End Connector	SS 316	2
3	Body Gasket	PTFE	2
4	Seat	Derlin	2
5	Ball	SS 316	1
6	Gland Seal	Derlin	2
7	Gland Washer	SS 316	1
8	Spring Washer	SS 304	1
9	Lock Nut	SS 304	1
10	Stem	SS 316	1
11	Handle	SS 304+Plastic	1
12	Pin	SS 304	1



HPS Series -NPT-6000PSI

Part no.	Con. -Inch Female	L-Valve Length mm	O-Bore mm	H-Hex. mm	S mm
IV-HP-S-BV-3-N4F-F	1/4	68.00	6.00	22.00	32.00
IV-HP-S-BV-3-N6F-F	3/8	74.00	8.00	25.00	32.00
IV-HP-S-BV-3-N8F-F	1/2	93.00	10.00	28.00	40.00
IV-HP-S-BV-3-N12F-F	3/4	95.00	12.00	36.00	45.00
IV-HP-S-BV-3-N16F-F	1	116.00	16.00	41.00	50.00
IV-HP-S-BV-3-N20F-F	1 1/4	116.00	18.00	45.00	60.00
IV-HP-S-BV-3-N24F-F	1 1/2	150.00	20.00	63.00	75.00
IV-HP-S-BV-3-N32F-F	2	168.00	25.00	75.00	95.00

HPS Series -BSPP-6000PSI

Part no.	Con. -Inch Female	L-Valve Length mm	O-Bore mm	H-Hex. mm	S mm
IV-HP-S-BV-3-G4F-F	1/4	68.00	6.00	22.00	32.00
IV-HP-S-BV-3-G6F-F	3/8	74.00	8.00	25.00	32.00
IV-HP-S-BV-3-G8F-F	1/2	93.00	10.00	28.00	40.00
IV-HP-S-BV-3-G12F-F	3/4	95.00	12.00	36.00	45.00
IV-HP-S-BV-3-G16F-F	1	116.00	16.00	41.00	50.00
IV-HP-S-BV-3-G20F-F	1 1/4	116.00	18.00	45.00	60.00
IV-HP-S-BV-3-G24F-F	1 1/2	150.00	20.00	63.00	75.00
IV-HP-S-BV-3-G32F-F	2	168.00	25.00	75.00	95.00

Note: Products Conform to NACE MR 0175 and from other materials available on request

HEAVY DUTY HIGH PRESSURE BALL VALVES

HD-H Series- Hex. Body-2 piece

RANGE UP TO 10000 PSI

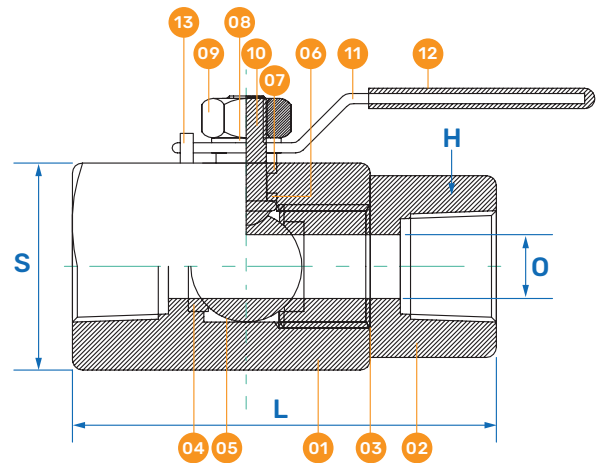
HD-H series ball valves are manufactured from High Integrity barstock and two piece design. HD-H series valves having flexible design and many possible combinations of end connections are available.

Valve Features

- Manufactured from high integrity barstock material SS 304L/ SS 316 L.
- Two piece and flexible Body Design.
- Low torque and smooth 90o operation.
- Bi-directional floating ball design which ensure leak-proof shut-off on pressure or vacuum.
- Anti-blow out stem with shoulder design (internally Loaded) for safety and seal integrity.
- Temperature rating -50oC to 230oC.
- Pressure rating up to 10000 PSI.
- Full material traceability.
- 100% hydrostatically tested.
- Handle indicates open/ close position.
- Available NPT or BSPP thread end connection.

Components Key

Sl. No.	Description	Material	Quantity No.
1	Valve Body	SS 316	1
2	End Connector	SS 316	1
3	Body Gasket	PTFE	1
4	Seat	PEEK	2
5	Ball	SS 316	1
6	Stem Seal	PEEK	2
7	Gland	SS 316	1
8	Spring Washer	SS 304	1
9	Lock Nut	SS 304	1
10	Stem	SS 316	1
11	Handle	SS 304	1
12	Handle Sleeve	PVC	1
13	Pin	SS 304	1



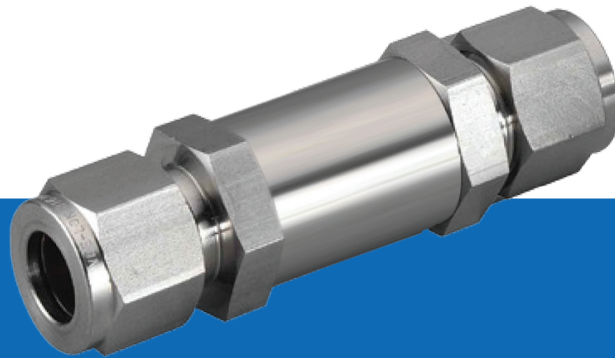
HD-H Series -NPT-10000PSI

Part no.	Con. -Inch Female	L-Valve Length mm	O-Bore mm	H-Hex. mm	S mm
IV-HD-H-BV-2-N2F-F	1/8	68.00	4.00	19.00	25.00
IV-HD-H-BV-2-N4F-F	1/4	79.00	6.00	27.00	32.00
IV-HD-H-BV-2-N6F-F	3/8	79.00	8.00	30.00	32.00
IV-HD-H-BV-2-N8F-F	1/2	85.00	10.00	32.00	38.00
IV-HD-H-BV-2-N12F-F	3/4	102.00	12.00	41.00	45.00
IV-HD-H-BV-2-N16F-F	1	108.00	14.00	45.00	50.00

HD-H Series -BSPP-10000PSI

Part no.	Con. -Inch Female	L-Valve Length mm	O-Bore mm	H-Hex. mm	S mm
IV-HD-H-BV-2-G2F-F	1/8	68.00	4.00	19.00	25.00
IV-HD-H-BV-2-G4F-F	1/4	79.00	6.00	27.00	32.00
IV-HD-H-BV-2-G6F-F	3/8	79.00	8.00	30.00	32.00
IV-HD-H-BV-2-G8F-F	1/2	85.00	10.00	32.00	38.00
IV-HD-H-BV-2-G12F-F	3/4	102.00	12.00	41.00	45.00
IV-HD-H-BV-2-G16F-F	1	108.00	14.00	45.00	50.00

Note: Products Conform to NACE MR 0175 and from other materials available on request



IDEALLOK Check Valves

The IDEALLOK Non Return Valves, designed for prevention of back flow in a pressurised system, having a soft primary seat suitable for gases or liquid

- Manufactured from high integrity barstock material SS 304L/ SS 316 L.
- Valve have a primary soft seat achieving leak free tight close and with secondary metal to metal seal
- Close tolerance guided spring and piston design prevents from seizure or grabbing
- Temperature rating -40oC to 150oC.
- Pressure rating up to 10000 PSI.
- Full material traceability.
- 100% hydrostatically tested.
- Available NPT or BSPP thread or compression tube end connection.

Δ WARNING:

When selecting a product, the system designer shall ensure the safe performance of the system. The system Designer and User shall responsible for Function, material compatibility, adequate rating, proper installation, safe operation and maintenance of the system.

MEDIUM PRESSURE CHECK VALVES

MP-H Series-Hexagonal Single Body

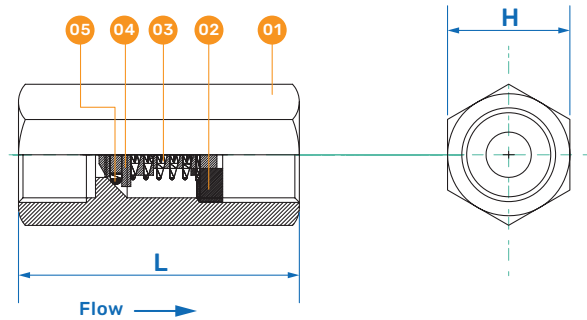
RANGE UP TO 3000 PSI

Valve Features

- Working pressure up to 3000PSI
- Single body construction
- Full material Traceability
- Working Temperature between -23oC to 150oC
- 100% Quality Tested (in House)
- Cracking pressure between 0.5bar to 1.7bar
- Material of construction SS 304L/SS 316L

Components Key

Sl. No.	Description	Material	Quantity No.
1	Valve Body	SS 316	1
2	Check (Lock) Nut	SS 316	1
3	Spring	SS	1
4	Piston	SS 316	1
5	Soft O ring	Viton	1



MP-H Series-NPT-3000PSI

Part no.	Connection Size-Inch Female	L-Valve Length mm	H-Hex mm
IV-MP-H-CV-1-N4F-F	1/4	55.00	19.00
IV-MP-H-CV-1-N6F-F	3/8	62.00	22.00
IV-MP-H-CV-1-N8F-F	1/2	68.00	27.00
IV-MP-H-CV-1-N12F-F	3/4	80.00	32.00
IV-MP-H-CV-1-N16F-F	1	95.00	36.00
IV-HD-H-BV-2-G16F-F	1	108.00	14.00

HIGH PRESSURE CHECK VALVES

HP-H Series-Hexagonal body -2piece

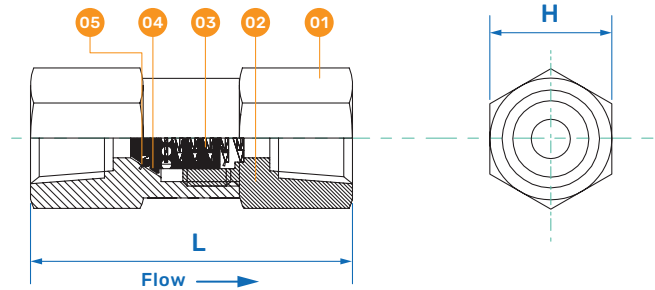
RANGE UP TO 6000 PSI

Valve Features

- Working pressure up to 6000PSI
- Working Temperature between -23oC to 200oC
- Full material Traceability
- 100% Quality Tested (in House)
- Cracking pressure between 0.5bar to 2.0bar
- Material of construction SS 304L/SS 316L

Components Key

Sl. No.	Description	Material	Quantity No.
1	Valve Body	SS 316	1
2	End Connector	SS 316	1
3	Spring	SS	1
4	Piston	SS 316	1
5	Soft O ring	Viton	1



HP-H Series-NPT-6000PSI

Part no.	Connection Size-Inch Female	L-Valve Length mm	H-Hex mm
IV-HP-H-CV-2-N4F-F	1/4	62.00	22.00
IV-HP-H-CV-2-N6F-F	3/8	62.00	25.00
IV-HP-H-CV-2-N8F-F	1/2	68.00	32.00
IV-HP-H-CV-2-N12F-F	3/4	80.00	36.00
IV-HP-H-CV-2-N16F-F	1	95.00	41.00
IV-HD-H-BV-2-G16F-F	1	108.00	14.00

HIGH PRESSURE CHECK VALVES (COMPRESSION TUBE END CONNECTION)

HP-H Series-Hexagonal body

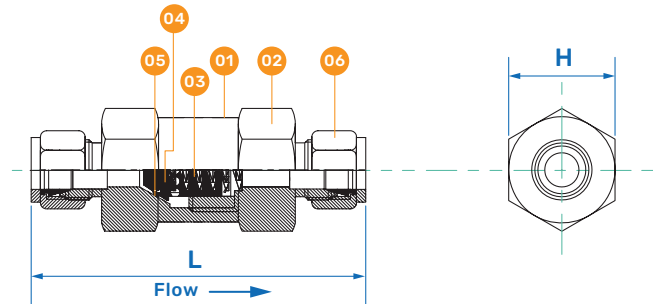
RANGE UP TO 6000 PSI

Valve Features

- Working pressure up to 6000PSI
- Working Temperature between -23oC to 200oC
- Full material Traceability
- 100% Quality Tested (in House)
- Cracking pressure between 0.5bar to 2.0bar
- Material of construction SS 304L/SS 316L

Components Key

Sl. No.	Description	Material	Quantity No.
1	Valve Body	SS 316	1
2	End Connector	SS 316	1
3	Spring	SS	1
4	Piston	SS 316	1
5	Soft O ring	Viton	1
6	Nut and Ferrule set	SS 316	2



HP-H Series-Tube Inch-6000PSI

Part no.	Connection Size-Inch Tube	L-Valve Length mm	H-Hex mm
IV-HP-H-CV-2-N4	1/4	69.00	22.00
IV-HP-H-CV-2-N6	3/8	72.00	25.00
IV-HP-H-CV-2-N8	1/2	74.00	32.00
IV-HP-H-CV-2-N12	3/4	86.00	36.00
IV-HP-H-CV-2-N16	1	102.00	41.00

HP-H Series-Tube Metric-6000PSI

Part no.	Connection Size-mm Tube	L-Valve Length mm	H-Hex mm
IV-HP-H-CV-2-M4	1/4	69.00	22.00
IV-HP-H-CV-2-M6	3/8	72.00	25.00
IV-HP-H-CV-2-M8	1/2	74.00	32.00
IV-HP-H-CV-2-M12	3/4	86.00	36.00
IV-HP-H-CV-2-M16	1	102.00	41.00

HIGH PRESSURE CHECK VALVES (Male x Female Connection)

HP-H Series-Hexagonal body -2piece

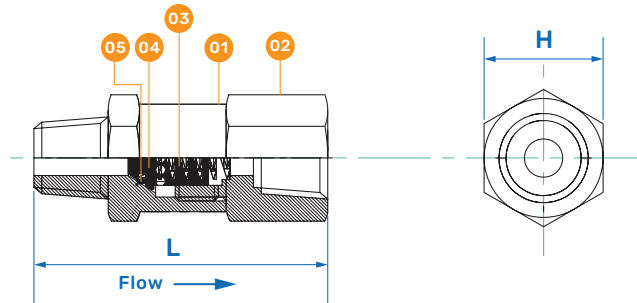
RANGE UP TO 6000 PSI

Valve Features

- Working pressure up to 6000PSI
- Working Temperature between -23oC to 200oC
- Full material Traceability
- 100% Quality Tested (in House)
- Cracking pressure between 0.5bar to 2.0bar
- Material of construction SS 304L/SS 316L

Components Key

Sl. No.	Description	Material	Quantity No.
1	Valve Body	SS 316	1
2	End Connector	SS 316	1
3	Spring	SS	1
4	Piston	SS 316	1
5	Soft O ring	Viton	1



HP-H Series-NPT-6000PSI

Part no.	Connection Size-Inch Male & Female	L-Valve Length mm	H-Hex mm
IV-HP-H-CV-2-N4M-F	1/4	65.00	22.00
IV-HP-H-CV-2-N6M-F	3/8	65.00	25.00
IV-HP-H-CV-2-N8M-F	1/2	71.00	32.00
IV-HP-H-CV-2-N12M-F	3/4	85.00	36.00
IV-HP-H-CV-2-N16M-F	1	100.00	41.00

HIGH PRESSURE CHECK VALVES (Male x Male Connection)

HP-H Series-Hexagonal body -2piece

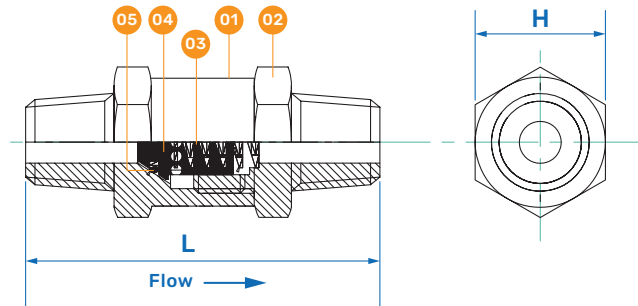
RANGE UP TO 6000 PSI

Valve Features

- Working pressure up to 6000PSI
- Working Temperature between -23oC to 200oC
- Full material Traceability
- 100% Quality Tested (in House)
- Cracking pressure between 0.5bar to 2.0bar
- Material of construction SS 304L/SS 316L

Components Key

Sl. No.	Description	Material	Quantity No.
1	Valve Body	SS 316	1
2	End Connector	SS 316	1
3	Spring	SS	1
4	Piston	SS 316	1
5	Soft O ring	Viton	1



HP-H Series-NPT-6000PSI

Part no.	Connection Size-Inch Male	L-Valve Length mm	H-Hex mm
IV-HP-H-CV-2-N4M-M	1/4	68.00	22.00
IV-HP-H-CV-2-N6M-M	3/8	68.00	25.00
IV-HP-H-CV-2-N8M-M	1/2	73.00	32.00
IV-HP-H-CV-2-N12M-M	3/4	88.00	36.00
IV-HP-H-CV-2-N16M-M	1	104.00	41.00

HEAVY DUTY HIGH PRESSURE CHECK VALVES (Female x Female)

HD-H Series- Hex. Body-2 piece

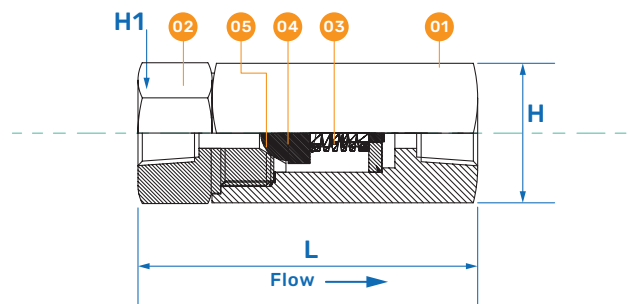
RANGE UP TO 10000 PSI

Valve Features

- Working pressure up to 10000PSI
- Working Temperature between -23oC to 200oC
- Full material Traceability
- 100% Quality Tested (in House)
- Cracking pressure between 0.5bar to 2.0bar
- Material of construction SS 304L/SS 316L

Components Key

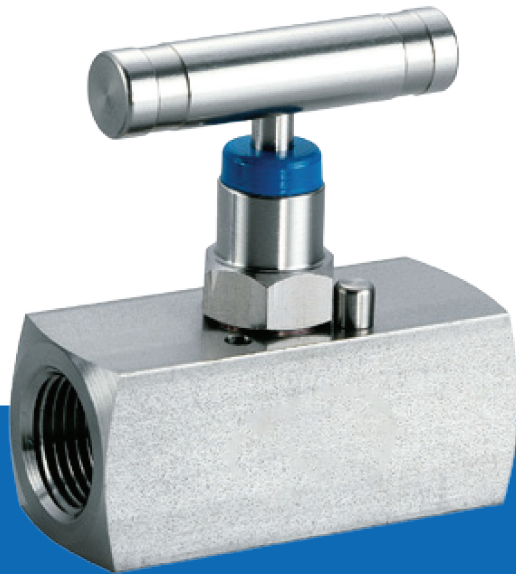
Sl. No.	Description	Material	Quantity No.
1	Valve Body	SS 316	1
2	End Connector	SS 316	1
3	Spring	SS	1
4	Piston	SS 316	1
5	Soft O ring	Viton	1



HD-H Series-NPT-10000PSI

Part no.	Con. Size-Inch Female	L-Valve Length mm	H-Hex mm	H1-Hex mm
IV-HD-H-CV-2-N4F-F	1/4"NPT	76.00	32.00	27.00
IV-HD-H-CV-2-N6F-F	3/8"NPT	76.00	32.00	27.00
IV-HD-H-CV-2-N8F-F	1/2"NPT	86.00	38.00	32.00
IV-HD-H-CV-2-N12F-F	3/4"NPT	98.00	46.00	41.00
IV-HD-H-CV-2-N16F-F	1"NPT	106.00	50.00	46.00

Note: Products Conform to NACE MR 0175 and from other materials/Threads available on request



IDEALLOK Needle Valves

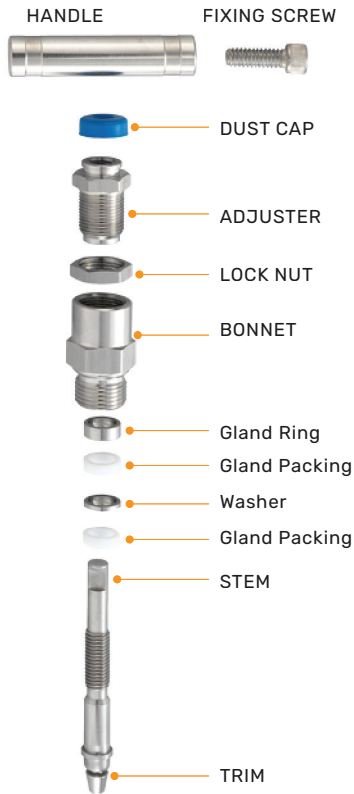
IDEALLOK Needle Valves and manifolds are manufactured from SS 304L/SS 316L barstock or forged material, are designed for operation with most of the fluids up to the pressure of 10000PSI. Valves are complete with gland packing of high grade PTFE and for high temperature application Graphoil gland is used.

Δ WARNING:

When selecting a product, the system designer shall ensure the safe performance of the system. The system Designer and User shall responsible for Function, material compatibility, adequate rating, proper installation, safe operation and maintenance of the system.

IDEALOK NEEDLE VALVES

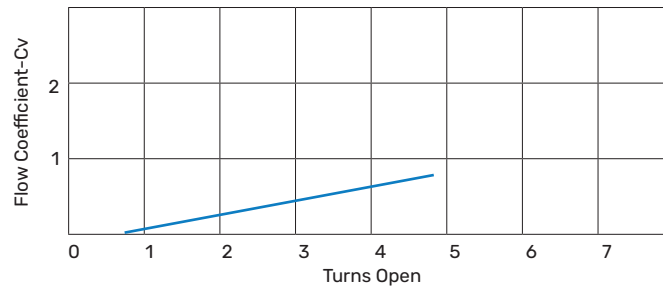
Material of Construction



Valve Features

- Maximum working pressure 6000PSI & 10000PSI at 100oF(38oC)
- Working Temperature -10oF(-23oC) to 464oF(240oC) & -65oF(-54oC) to 842oF(450oC)
- Non rotating stem design reduce galling and provide excellent seal on seat
- Stem threads are rolled and lubricated to prevent galling and reduces operating torque
- PTFE packing is standard and for higher temperature application Graphoil is used
- Gland packing can be adjusted to extend the valve life.
- Back seat stop stem for blowout prevention
- Bonnet lock pin prevents accidental removal while in operation
- Low Torque operating T bar Handle
- 100% Quality Tested
- Full Material Traceability
- Hydro test performed @ of 1.5 times of working pressure
- Protective Dust cap provided to prevent contaminants entry
- Sour gas service conforms to NACE MR0175 is optional
- Flow coefficient 0.4 standard

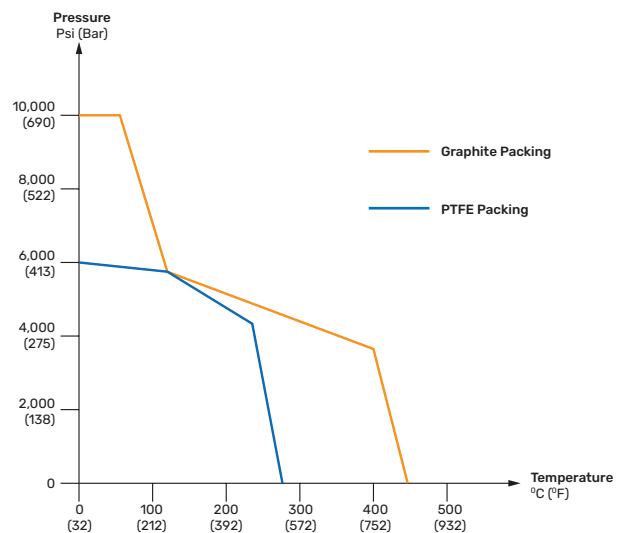
Flow Charecteristics



Components Key

Sl. No.	Description	Material
1	Valve Body	SS 316L
2	Bonnet	SS 316L
3	Stem	SS 316L
4	Adjuster	SS 316L
5	Lock Nut	SS 316L
6	Handle	SS 304
7	Fixing Screw	SS
8	Gland Packing	PTFE
9	Washer	SS 316L
10	Gland Ring	SS 316L
11	Dust Cap	PE
12	Stopper Pin	SS 304
13	Bleed Screw	SS 316L

Pressure Vs Temperature



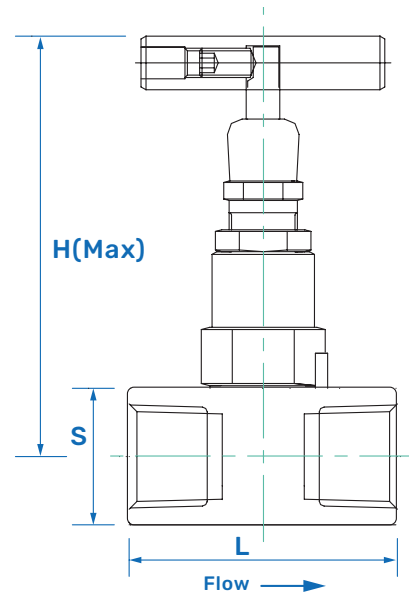
Thread Specification

Thread	Specification
NPT	ASME B1.20.1, SAEAS 71051
ISO/BSPP	ISO 228, BS 2779
ISO/BSP(Gauge)	Unified (SAE)-ISO 228, BS 2779, ASME B1.1

HIGH PRESSURE NEEDLE VALVES (Female x Female Connection)

Components Key

Sl. No.	Description	Material	Quantity No.
1	Valve Body	SS 316L	1
2	Gland Body	SS 316L	1
3	Gland Retainer	SS 304	1
4	Gland Packing	PTFE	2
5	Check Nut	SS 304	1
6	Stem	SS 316L	1
7	Trim	SS 316L	1
8	Handle	SS 304	1
9	Allen Bolt	SS 304	1
10	Lock Pin	SS 304	1
11	Dust Cap	PE	1



HP-S Series-Square body (Screwed Double Bonnet)

RANGE UP TO 6000 PSI

HP-S Series-NPT-6000PSI (Female x Female)

Part no.	Connection Size-Inch Female	L-Valve Length mm	S-Body mm	H-Height mm
IV-HP-S-NV-2B-N4F-F	1/4	49.00	22.00	92.00
IV-HP-S-NV-2B-N6F-F	3/8	49.00	25.00	92.00
IV-HP-S-NV-2B-N8F-F	1/2	65.00	28.00	96.00
IV-HP-S-NV-2B-N12F-F	3/4	72.00	36.00	110.00
IV-HP-S-NV-2B-N16F-F	1	86.00	45.00	116.00

HD-S Series-Square body (Screwed Double Bonnet)

RANGE UP TO 10000 PSI

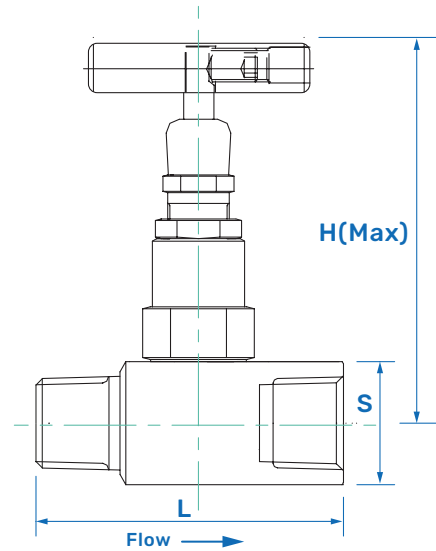
HD-S Series-NPT-10000PSI (Female x Female)

Part no.	Connection Size-Inch Female	L-Valve Length mm	S-Body mm	H-Height mm
IV-HD-S-NV-2B-N4F-F	1/4	60.00	28.00	95.00
IV-HD-S-NV-2B-N6F-F	3/8	60.00	28.00	95.00
IV-HD-S-NV-2B-N8F-F	1/2	70.00	32.00	100.00
IV-HD-S-NV-2B-N12F-F	3/4	80.00	40.00	115.00
IV-HD-S-NV-2B-N16F-F	1	92.00	50.00	120.00

HIGH PRESSURE NEEDLE VALVES (Male x Female Connection)

Components Key

Sl. No.	Description	Material	Quantity No.
1	Valve Body	SS 316L	1
2	Gland Body	SS 316L	1
3	Gland Retainer	SS 304	1
4	Gland Packing	PTFE	2
5	Check Nut	SS 304	1
6	Stem	SS 316L	1
7	Trim	SS 316L	1
8	Handle	SS 304	1
9	Allen Bolt	SS 304	1
10	Lock Pin	SS 304	1
11	Dust Cap	PE	1



HP-S Series-Square body (Screwed Double Bonnet)

RANGE UP TO 6000 PSI

HP-S Series-NPT-6000PSI (Male x Female)

Part no.	Connection Size-Inch	L-Valve Length mm	S-Body mm	H-Height mm
IV-HP-S-NV-2-N4M-F	1/4	49.00	22.00	92.00
IV-HP-S-NV-2-N6M-F	3/8	49.00	25.00	92.00
IV-HP-S-NV-2-N8M-F	1/2	65.00	28.00	96.00
IV-HP-S-NV-2-N12M-F	3/4	72.00	36.00	110.00
IV-HP-S-NV-2-N16M-F	1	86.00	45.00	116.00

HD-S Series-Square body (Screwed Double Bonnet)

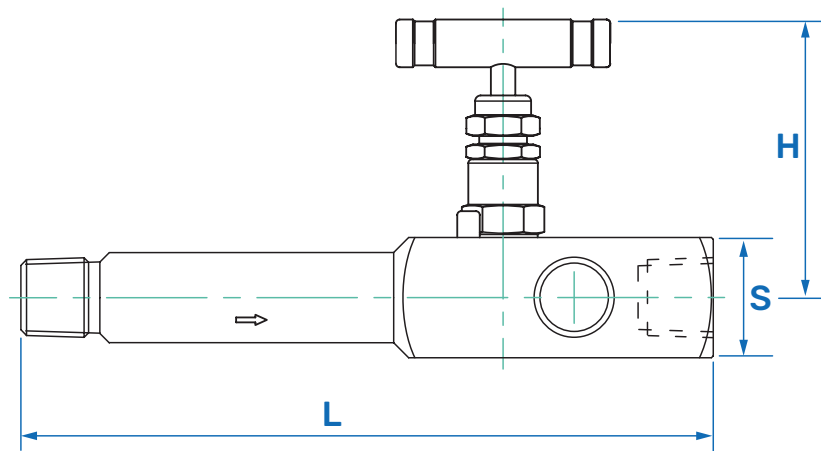
RANGE UP TO 10000 PSI

HD-S Series-NPT-10000PSI (Male x Female)

Part no.	Connection Size-Inch	L-Valve Length mm	S-Body mm	H-Height mm
IV-HD-S-NV-2B-N4M-F	1/4	60.00	28.00	95.00
IV-HD-S-NV-2B-N6M-F	3/8	60.00	28.00	95.00
IV-HD-S-NV-2B-N8M-F	1/2	70.00	32.00	100.00
IV-HD-S-NV-2B-N12M-F	3/4	80.00	40.00	115.00
IV-HD-S-NV-2B-N16M-F	1	92.00	50.00	120.00

HD-S Series-Square body (Screwed Double Bonnet)-Long Body

RANGE UP TO 10000 PSI



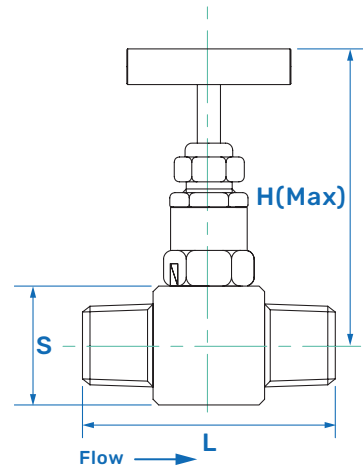
HD-S Series-NPT-10000PSI (Male x Female)

Part no.	Connection Size-Inch	L-Valve Length mm	S-Body mm	H-Height mm
IV-HD-S-NV-L-2B-N4M-F	1/4	160.00	28.00	95.00
IV-HD-S-NV-L-2B-N6M-F	3/8	160.00	28.00	95.00
IV-HD-S-NV-L-2B-N8M-F	1/2	184.00	32.00	100.00
IV-HD-S-NV-L-2B-N12M-F	3/4	184.00	40.00	115.00
IV-HD-S-NV-L-2B-N16M-F	1	192.00	50.00	120.00

HIGH PRESSURE NEEDLE VALVES (Male x Male Connection)

Components Key

Sl. No.	Description	Material	Quantity No.
1	Valve Body	SS 316L	1
2	Gland Body	SS 316L	1
3	Gland Retainer	SS 304	1
4	Gland Packing	PTFE	2
5	Check Nut	SS 304	1
6	Stem	SS 316L	1
7	Trim	SS 316L	1
8	Handle	SS 304	1
9	Allen Bolt	SS 304	1
10	Lock Pin	SS 304	1
11	Dust Cap	PE	1



HP-S Series-Square body (Screwed Double Bonnet)

RANGE UP TO 6000 PSI

HP-S Series-NPT-6000PSI (Male x Male)

Part no.	Connection Size-Inch	L-Valve Length mm	S-Body mm	H-Height mm
IV-HP-S-NV-2-N4M-M	1/4	49.00	22.00	92.00
IV-HP-S-NV-2-N6M-M	3/8	49.00	25.00	92.00
IV-HP-S-NV-2-N8M-M	1/2	65.00	28.00	96.00
IV-HP-S-NV-2-N12M-M	3/4	72.00	36.00	110.00
IV-HP-S-NV-2-N16M-M	1	86.00	45.00	116.00

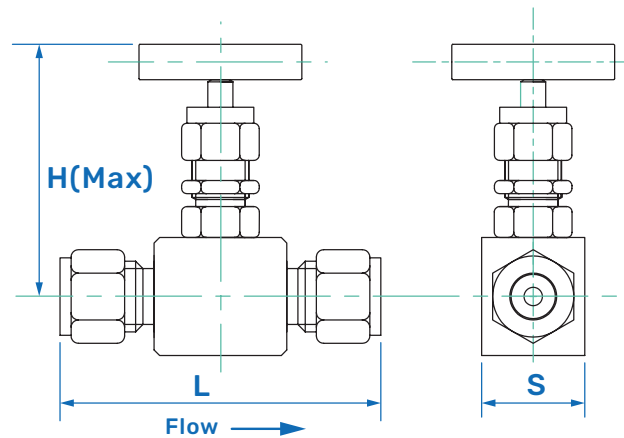
HD-S Series-Square body (Screwed Double Bonnet)

RANGE UP TO 10000 PSI

HD-S Series-NPT-10000PSI (Male x Male)

Part no.	Connection Size-Inch	L-Valve Length mm	S-Body mm	H-Height mm
IV-HD-S-NV-2B-N4M-M	1/4	60.00	28.00	95.00
IV-HD-S-NV-2B-N6M-M	3/8	60.00	28.00	95.00
IV-HD-S-NV-2B-N8M-M	1/2	70.00	32.00	100.00
IV-HD-S-NV-2B-N12M-M	3/4	80.00	40.00	115.00
IV-HD-S-NV-2B-N16M-M	1	92.00	50.00	120.00

HIGH PRESSURE NEEDLE VALVES (Tube x Tube Connection)



Components Key

Sl. No.	Description	Material	Quantity No.
1	Valve Body	SS 316L	1
2	Gland Body	SS 316L	1
3	Gland Retainer	SS 304	1
4	Gland Packing	PTFE	2
5	Check Nut	SS 304	1
6	Stem	SS 316L	1
7	Trim	SS 316L	1
8	Handle	SS 304	1
9	Allen Bolt	SS 304	1
10	Lock Pin	SS 304	1
11	Dust Cap	PE	1
12	Nut & Ferrule Set	SS 316L	2

HP-S Series-Square body (Integral Double Bonnet)

RANGE UP TO 6000 PSI

HP-S Series-Tube Inch-6000PSI

Part no.	Connection Size-Inch	L-Valve Length mm	S-Body mm	H-Height mm
IV-HP-S-CTNV-I-2B-N4	1/4	54.00	22.00	92.00
IV-HP-S-CTNV-I-2B-N6	3/8	70.00	25.00	92.00
IV-HP-S-CTNV-I-2B-N8	1/2	75.00	28.00	96.00
IV-HP-S-CTNV-I-2B-N12	3/4	85.00	36.00	110.00
IV-HP-S-CTNV-I-2B-N16	1	102.00	45.00	116.00

HP-S Series-Tube Metric-6000PSI

Part no.	Connection Size-mm	L-Valve Length mm	S-Body mm	H-Height mm
IV-HP-S-CTNV-I-2B-M6	6	54.00	22.00	92.00
IV-HP-S-CTNV-I-2B-M8	8	70.00	25.00	92.00
IV-HP-S-CTNV-I-2B-M10	10	75.00	28.00	96.00
IV-HP-S-CTNV-I-2B-M12	12	85.00	36.00	110.00

HP-S Series-Square body (Screwed Double Bonnet)

RANGE UP TO 6000 PSI

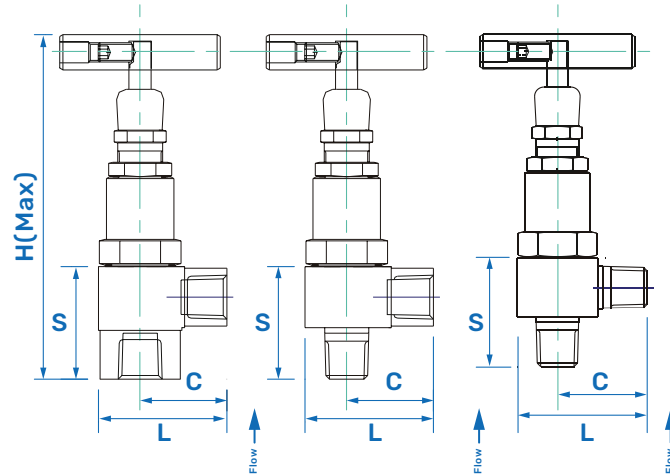
HP-S Series-Tube Inch-6000PSI

Part no.	Connection Size-Inch	L-Valve Length mm	S-Body mm	H-Height mm
IV-HP-S-CTNV-2B-N4	1/4	54.00	22.00	92.00
IV-HP-S-CTNV-2B-N6	3/8	70.00	25.00	92.00
IV-HP-S-CTNV-2B-N8	1/2	75.00	28.00	96.00
IV-HP-S-CTNV-2B-N12	3/4	85.00	36.00	110.00
IV-HP-S-CTNV-2B-N16	1	102.00	45.00	116.00

HP-S Series-Tube Metric-6000PSI

Part no.	Connection Size-mm	L-Valve Length mm	S-Body mm	H-Height mm
IV-HP-S-CTNV-2B-M6	6	54.00	22.00	92.00
IV-HP-S-CTNV-2B-M8	8	70.00	25.00	92.00
IV-HP-S-CTNV-2B-M10	10	75.00	28.00	96.00
IV-HP-S-CTNV-2B-M12	12	85.00	36.00	110.00

HIGH PRESSURE ANGLE NEEDLE VALVES



Components Key

Sl. No.	Description	Material	Quantity No.
1	Valve Body	SS 316L	1
2	Gland Body	SS 316L	1
3	Gland Retainer	SS 304	1
4	Gland Packing	PTFE	2
5	Check Nut	SS 304	1
6	Stem	SS 316L	1
7	Trim	SS 316L	1
8	Handle	SS 304	1
9	Allen Bolt	SS 304	1
10	Lock Pin	SS 304	1
11	Dust Cap	PE	1

HP-S Series-Square body (Screwed Double Bonnet)

RANGE UP TO 6000 PSI

HP-S Series-NPT-6000PSI (Female x Female)

Part no.	Connection Size-Inch	L-Valve Length mm	C-Length mm	S-Body mm	H-Height mm
IV-HP-S-A-NV-2-N4F-F	1/4	44.00	29	39.00	115.00
IV-HP-S-A-NV-2-N6F-F	3/8	44.00	29	39.00	115.00
IV-HP-S-A-NV-2-N8F-F	1/2	50.00	35	47.00	125.00

HP-S Series-NPT-6000PSI (Male x Female)

Part no.	Connection Size-Inch	L-Valve Length mm	C-Length mm	S-Body mm	H-Height mm
IV-HP-S-A-NV-2-N4M-F	1/4	44.00	29	39.00	115.00
IV-HP-S-A-NV-2-N6M-F	3/8	44.00	29	39.00	115.00
IV-HP-S-A-NV-2-N8M-F	1/2	50.00	35	47.00	125.00

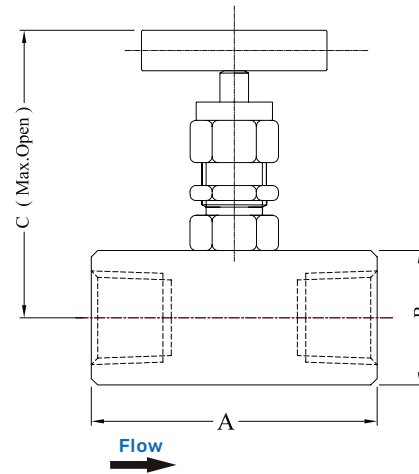
HP-S Series-NPT-6000PSI (Male x Male)

Part no.	Connection Size-Inch	L-Valve Length mm	C-Length mm	S-Body mm	H-Height mm
IV-HP-S-A-NV-2-N4M-M	1/4	44.00	29	39.00	115.00
IV-HP-S-A-NV-2-N6M-M	3/8	44.00	29	39.00	115.00
IV-HP-S-A-NV-2-N8M-M	1/2	50.00	35	47.00	125.00

PANEL MOUNT NEEDLE VALVES (Female x Female Connection)

Components Key

Sl. No.	Description	Material	Quantity No.
1	Valve Body	SS 316L	1
2	Gland Body	SS 316L	1
3	Gland Retainer	SS 304	1
4	Gland Packing	PTFE	2
5	Check Nut	SS 304	1
6	Stem	SS 316L	1
7	Trim	SS 316L	1
8	Handle	SS 304	1
9	Allen Bolt	SS 304	1
10	Lock Pin	SS 304	1
11	Dust Cap	PE	1



HP-S-P Series-Square body (Screwed Double Bonnet)

RANGE UP TO 6000 PSI

HP-S-P Series-NPT-6000PSI (Female x Female)

Part no.	Connection Size-Inch	L-Valve Length mm (A)	S-Body mm (B)	H-Height mm (C)
IV-HP-S-PNV-2B-N4F-F	1/4	49.00	22.00	92.00
IV-HP-S-PNV-2B-N6F-F	3/8	49.00	25.00	92.00
IV-HP-S-PNV-2B-N8F-F	1/2	65.00	28.00	96.00
IV-HP-S-PNV-2B-N12F-F	3/4	72.00	36.00	110.00
IV-HP-S-PNV-2B-N16F-F	1	86.00	45.00	116.00

LP-S-P Series-Square body (Screwed Double Bonnet)

RANGE UP TO 3000 PSI

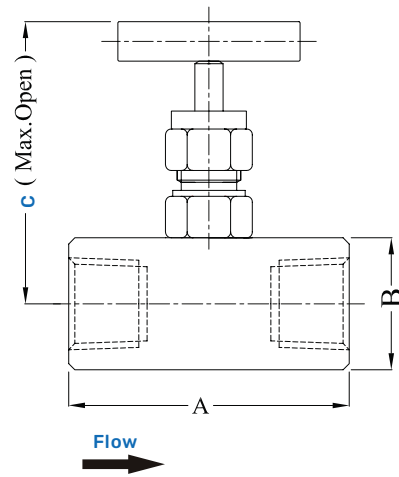
LP-S-P Series-NPT-3000PSI (Female x Female)

Part no.	Connection Size-Inch	L-Valve Length mm (A)	S-Body mm (B)	H-Height mm (C)
IV-LP-S-P-NV-2B-N4F-F	1/4	45.00	19.00	65.00
IV-LP-S-P-NV-2B-N6F-F	3/8	45.00	22.00	65.00
IV-LP-S-P-NV-2B-N8F-F	1/2	56.00	25.00	68.00
IV-LP-S-P-NV-2B-N12F-F	3/4	68.00	32.00	75.00
IV-LP-S-P-NV-2B-N16F-F	1	80.00	40.00	116.00

NEEDLE VALVE SINGLE BONNET (Female x Female Connection)

Components Key

Sl. No.	Description	Material	Quantity No.
1	Valve Body	SS 316L	1
2	Gland Body	SS 316L	1
3	Gland Retainer	SS 304	1
4	Gland Packing	PTFE	1
5	Check Nut	SS 304	1
6	Stem	SS 316L	1
7	Trim	SS 316L	1
8	Handle	SS 304	1
9	Allen Bolt	SS 304	1
10	Lock Pin	SS 304	1
11	Dust Cap	PE	1



HP-S Series-Square body (Screwed Single Bonnet)

RANGE UP TO 6000 PSI

HP-S Series-NPT-6000PSI (Female x Female)

Part no.	Connection Size-Inch	L-Valve Length mm (A)	S-Body mm (B)	H-Height mm (C)
IV-HP-S-NV-1B-N4F-F	1/4	49.00	22.00	90.00
IV-HP-S-NV-1B-N6F-F	3/8	49.00	25.00	90.00
IV-HP-S-NV-1B-N8F-F	1/2	65.00	28.00	92.00
IV-HP-S-NV-1B-N12F-F	3/4	72.00	36.00	106.00
IV-HP-S-NV-2B-N16F-F	1	86.00	45.00	110.00

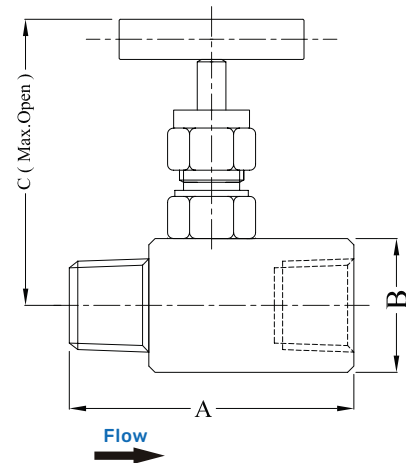
LP-S Series-NPT-3000PSI (Female x Female)

Part no.	Connection Size-Inch	L-Valve Length mm (A)	S-Body mm (B)	H-Height mm (C)
IV-HP-S-NV-1B-N4F-F	1/4	49.00	19.00	70.00
IV-HP-S-NV-1B-N6F-F	3/8	49.00	22.00	70.00
IV-HP-S-NV-1B-N8F-F	1/2	65.00	25.00	72.00
IV-HP-S-NV-1B-N12F-F	3/4	72.00	32.00	86.00
IV-HP-S-NV-2B-N16F-F	1	86.00	40.00	90.00

NEEDLE VALVE SINGLE BONNET (Male x Female Connection)

Components Key

Sl. No.	Description	Material	Quantity No.
1	Valve Body	SS 316L	1
2	Gland Body	SS 316L	1
3	Gland Retainer	SS 304	1
4	Gland Packing	PTFE	1
5	Check Nut	SS 304	1
6	Stem	SS 316L	1
7	Trim	SS 316L	1
8	Handle	SS 304	1
9	Allen Bolt	SS 304	1
10	Lock Pin	SS 304	1
11	Dust Cap	PE	1



HP-S Series-Square body (Screwed Single Bonnet)

RANGE UP TO 6000 PSI

HP-S Series-NPT-6000PSI (Male x Female)

Part no.	Connection Size-Inch	L-Valve Length mm (A)	S-Body mm (B)	H-Height mm (C)
IV-HP-S-NV-1B-N4M-F	1/4	49.00	22.00	90.00
IV-HP-S-NV-1B-N6M-F	3/8	49.00	25.00	90.00
IV-HP-S-NV-1B-N8M-F	1/2	65.00	28.00	92.00
IV-HP-S-NV-1B-N12M-F	3/4	72.00	36.00	106.00
IV-HP-S-NV-1B-N16M-F	1	86.00	45.00	110.00

LP-S Series-NPT-3000PSI (Male x Female)

Part no.	Connection Size-Inch	L-Valve Length mm (A)	S-Body mm (B)	H-Height mm (C)
IV-HP-S-NV-1B-N4M-F	1/4	49.00	19.00	70.00
IV-HP-S-NV-1B-N6M-F	3/8	49.00	22.00	70.00
IV-HP-S-NV-1B-N8M-F	1/2	65.00	25.00	72.00
IV-HP-S-NV-1B-N12M-F	3/4	72.00	32.00	86.00
IV-HP-S-NV-1B-N16M-F	1	86.00	40.00	90.00



IDEALLOK Manifold Valves

Δ WARNING:

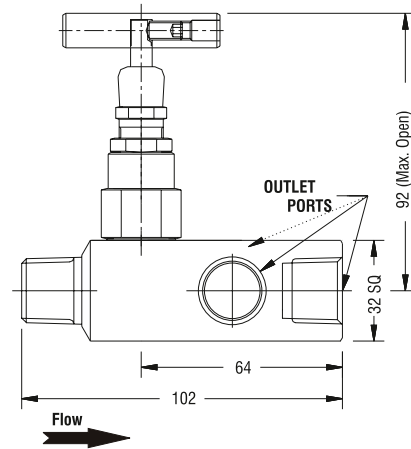
When selecting a product, the system designer shall ensure the safe performance of the system. The system Designer and User shall be responsible for Function, material compatibility, adequate rating, proper installation, safe operation and maintenance of the system.

IDEALOK MANIFOLD VALVES

HIGH PRESSURE MULTI PORT GAUGE VALVES HP-S Series- Square Body (Double Bonnet)

Valve Features

- Maximum working pressure 6000PSI at 100oF(38oC)
- Working Temperature -65oF(-54oC) to 356oF(180oC)
- Non rotating stem design reduce galling and provide excellent seal on seat
- Stem threads are rolled and lubricated to prevent galling and reduces operating torque
- PTFE packing is standard and for higher temperature application Graphoil is used
- Gland packing can be adjusted to extend the valve life.
- Back seat stop stem for blowout prevention
- Bonnet lock pin prevents accidental removal while in operation
- Standard configuration of valve is one male inlet and three additional female port
- Low Torque operating T bar Handle
- Multiport Gauge Valves facilitate versatile positioning of gauges/pressure switches without additional penetration of main piping
- 100% Quality Tested
- Full Material Traceability
- Hydro test performed @ of 1.5 times of working pressure
- Protective Dust cap provided to prevent contaminants entry
- Sour gas service conforms to NACE MR0175 is optional
- Flow coefficient 0.4 standard



Components Key

Sl. No.	Description	Material	Quantity No.
1	Valve Body	SS 316L	1
2	Gland Body	SS 316L	1
3	Gland Retainer	SS 304	1
4	Gland Packing	PTFE	2
5	Check Nut	SS 304	1
6	Stem	SS 316L	1
7	Trim	SS 316L	1
8	Handle	SS 304	1
9	Allen Bolt	SS 304	1
10	Lock Pin	SS 304	1
11	Dust Cap	PE	1

HP-S Series-NPT-6000PSI

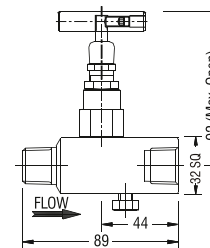
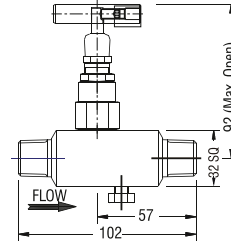
Part no.	Connection Size-Inch	L-Valve Length mm (A)	S-Body mm (B)	H-Height mm (C)
IV-HP-S-MPNV-2B-N8M-F	1/2 -M-F	104.00	32.00	92.00
IV-HP-S-MPNV-2B-N8F-F	1/2- F-F	104.00	32.00	92.00
IV-HP-S-MPNV-2B-N12M-F	3/4- M-F	104.00	36.00	96.00

HIGH PRESSURE SINGLE BLOCK AND BLEED GAUGE VALVES

HP-S Series- Square Body (Double Bonnet)

Valve Features

- Maximum working pressure 6000PSI at 100oF(38oC)
- Working Temperature -65oF(-54oC) to 356oF(180oC)
- Non rotating stem design reduce galling and provide excellent seal on seat
- Stem threads are rolled and lubricated to prevent galling and reduces operating torque
- PTFE packing is standard and for higher temperature application Graphoil is used
- Gland packing can be adjusted to extend the valve life.
- Back seat stop stem for blowout prevention
- Bonnet lock pin prevents accidental removal while in operation
- Valve designed for mount pressure gauges, pressure transmitters etc. and save cost, space and weight significantly
- Low Torque operating T bar Handle
- 100% Quality Tested
- Full Material Traceability
- Hydro test performed @ of 1.5 times of working pressure
- Protective Dust cap provided to prevent contaminants entry
- Sour gas service conforms to NACE MR0175 is optional



Components Key

Sl. No.	Description	Material	Quantity No.
1	Valve Body	SS 316L	1
2	Gland Body	SS 316L	1
3	Gland Retainer	SS 304	1
4	Gland Packing	PTFE	2
5	Check Nut	SS 304	1
6	Stem	SS 316L	1
7	Trim	SS 316L	1
8	Handle	SS 304	1
9	Allen Bolt	SS 304	1
10	Lock Pin	SS 304	1
11	Dust Cap	PE	1

HP-S Series-NPT-6000PSI

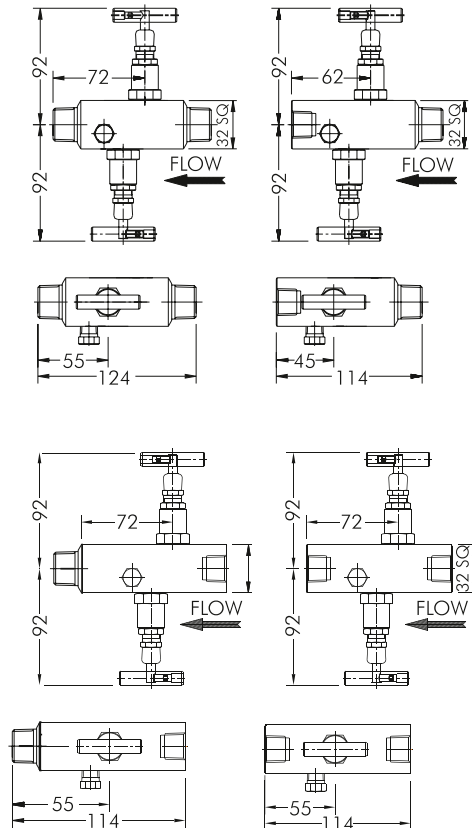
Part no.	Connection Size-Inch	L-Valve Length mm (A)	S-Body mm (B)	H-Height mm (C)
IV-HP-S-SBBNV-2B-N8M-F	1/2 -M-F	92.00	32.00	92.00
IV-HP-S-SBBNV-2B-N8F-F	1/2- F-F	92.00	32.00	92.00
IV-HP-S-SBBNV-2B-N12M-F	3/4- M-F	104.00	36.00	96.00

HIGH PRESSURE DOUBLE BLOCK AND BLEED GAUGE VALVES

HP-S Series- Square Body (Double Bonnet)

Valve Features

- Maximum working pressure 6000PSI at 100oF(38oC)
- Working Temperature -65oF(-54oC) to 356oF(180oC)
- Non rotating stem design reduce galling and provide excellent seal on seat
- Stem threads are rolled and lubricated to prevent galling and reduces operating torque
- PTFE packing is standard and for higher temperature application Graphoil is used
- Gland packing can be adjusted to extend the valve life.
- Back seat stop stem for blowout prevention
- Bonnet lock pin prevents accidental removal while in operation
- Valve designed for mount pressure gauges, pressure transmitters etc. and save cost, space and weight significantly
- Low Torque operating T bar Handle
- 100% Quality Tested
- Full Material Traceability
- Hydro test performed @ of 1.5 times of working pressure
- Protective Dust cap provided to prevent contaminants entry
- Sour gas service conforms to NACE MR0175 is optional



HP-S Series-NPT-6000PSI

Part no.	Connection Size-Inch
IV-HP-S-DBBNV-2B-N8M-F	1/2 -Male-Female
IV-HP-S-DBBNV-2B-N8F-F	1/2- Female-Female
IV-HP-S-DBBNV-2B-N8M-M	1/2- Male-Male
IV-HP-S-DBBNV-2B-N8F-M	1/2- Female-Male

Components Key

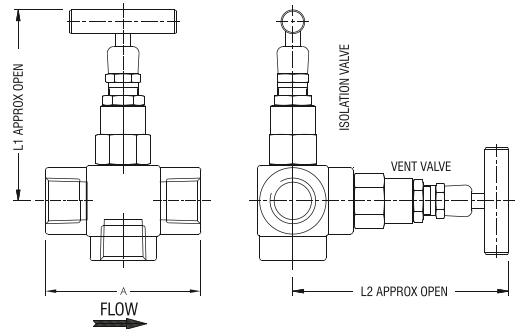
Sl. No.	Description	Material	Quantity No.
1	Valve Body	SS 316L	1
2	Gland Body	SS 316L	2
3	Gland Retainer	SS 304	2
4	Gland Packing	PTFE	4
5	Check Nut	SS 304	2
6	Stem	SS 316L	2
7	Trim	SS 316L	2
8	Handle	SS 304	2
9	Allen Bolt	SS 304	2
10	Lock Pin	SS 304	2
11	Dust Cap	PE	2

HIGH PRESSURE TWO VALVE (THREE WAY) MANIFOLD

HP- Series- Double Bonnet

Valve Features

- Maximum working pressure 6000PSI at 100oF(38oC)
- Working Temperature -65oF(-54oC) to 356oF(180oC)
- Non rotating stem design reduce galling and provide excellent seal on seat
- Stem threads are rolled and lubricated to prevent galling and reduces operating torque
- PTFE packing is standard and for higher temperature application Graphoil is used
- Gland packing can be adjusted to extend the valve life.
- Back seat stop stem for blowout prevention
- Bonnet lock pin prevents accidental removal while in operation
- Low Torque operating T bar Handle
- 100% Quality Tested
- Full Material Traceability
- Hydro test performed @ of 1.5 times of working pressure
- Protective Dust cap provided to prevent contaminants entry
- Sour gas service conforms to NACE MR0175 is optional



Components Key

Sl. No.	Description	Material	Quantity No.
1	Valve Body	SS 316L	1
2	Gland Body	SS 316L	2
3	Gland Retainer	SS 304	2
4	Gland Packing	PTFE	4
5	Check Nut	SS 304	2
6	Stem	SS 316L	2
7	Trim	SS 316L	2
8	Handle	SS 304	2
9	Allen Bolt	SS 304	2
10	Lock Pin	SS 304	2
11	Dust Cap	PE	2

HP-S Series-NPT-6000PSI

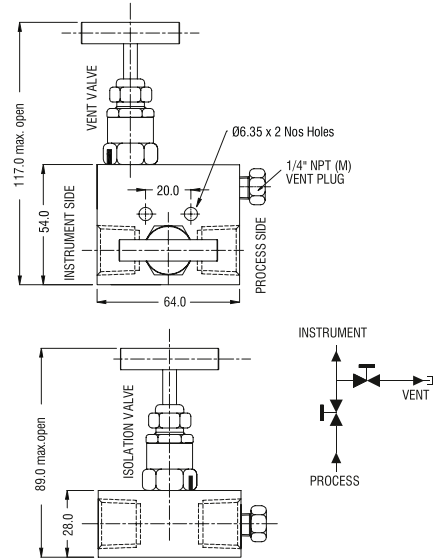
Part no.	Port Connection Size-Inch			L-mm	H-mm	H1-mm
	Process	Drain	Gauge			
IV-HP-2V-3W-2B-M-N8-D4	1/2"-F	1/4"-F	1/2"-F	69	100	108
IV-HP-2V-3W-2B-M-N8-D8	1/2"-F	1/2"-F	1/2"-F	69	100	108

HIGH PRESSURE TWO VALVE MANIFOLD-REMOTE MOUNT (Pipe x Pipe)

HP- Series- Double Bonnet

Valve Features

- Maximum working pressure 6000PSI at 100oF(38oC)
- Working Temperature -65oF(-54oC) to 356oF(180oC)
- Non rotating stem design reduce galling and provide excellent seal on seat
- Stem threads are rolled and lubricated to prevent galling and reduces operating torque
- PTFE packing is standard and for higher temperature application Graphoil is used
- Gland packing can be adjusted to extend the valve life.
- Back seat stop stem for blowout prevention
- Bonnet lock pin prevents accidental removal while in operation
- Low Torque operating T bar Handle
- 100% Quality Tested
- Full Material Traceability
- Hydro test performed @ of 1.5 times of working pressure
- Protective Dust cap provided to prevent contaminants entry
- Sour gas service conforms to NACE MR0175 is optional



Components Key

Sl. No.	Description	Material	Quantity No.
1	Valve Body	SS 316L	1
2	Gland Body	SS 316L	2
3	Gland Retainer	SS 304	2
4	Gland Packing	PTFE	4
5	Check Nut	SS 304	2
6	Stem	SS 316L	2
7	Trim	SS 316L	2
8	Handle	SS 304	2
9	Allen Bolt	SS 304	2
10	Lock Pin	SS 304	2
11	Dust Cap	PE	2

HP-S Series-NPT-6000PSI

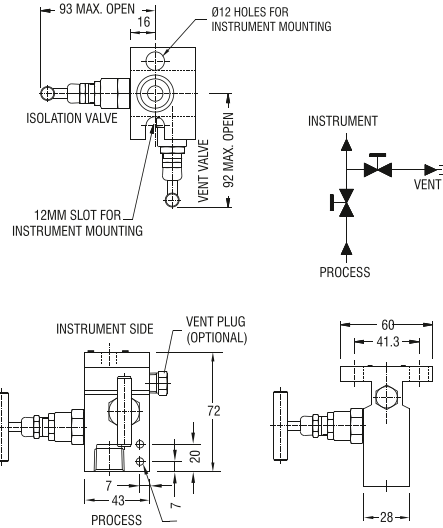
Part no.	Port Connection Size-Inch		
	Process	Vent	Instrument
IV-HP-2VMR-2B-N8F-F	1/2"-F	1/4"-F	1/2"-F

HIGH PRESSURE TWO VALVE MANIFOLD-‘T’ Type (Pipe x Flange)

HP- Series- Double Bonnet

Valve Features

- Maximum working pressure 6000PSI at 100oF(38oC)
- Working Temperature -65oF(-54oC) to 356oF(180oC)
- Non rotating stem design reduce galling and provide excellent seal on seat
- Stem threads are rolled and lubricated to prevent galling and reduces operating torque
- PTFE packing is standard and for higher temperature application Graphoil is used
- Gland packing can be adjusted to extend the valve life.
- Back seat stop stem for blowout prevention
- Bonnet lock pin prevents accidental removal while in operation
- Low Torque operating T bar Handle
- 100% Quality Tested
- Full Material Traceability
- Hydro test performed @ of 1.5 times of working pressure
- Protective Dust cap provided to prevent contaminants entry
- Sour gas service conforms to NACE MR0175 is optional



Components Key

Sl. No.	Description	Material	Quantity No.
1	Valve Body	SS 316L	1
2	Gland Body	SS 316L	2
3	Gland Retainer	SS 304	2
4	Gland Packing	PTFE	4
5	Check Nut	SS 304	2
6	Stem	SS 316L	2
7	Trim	SS 316L	2
8	Handle	SS 304	2
9	Allen Bolt	SS 304	2
10	Lock Pin	SS 304	2
11	Dust Cap	PE	2

HP-Series-NPT-6000PSI

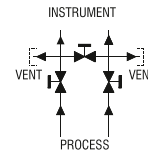
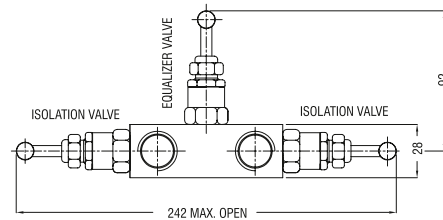
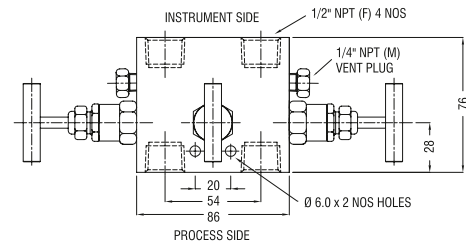
Part no.	Port Connection Size-Inch		
	Process	Vent	Instrument
IV-HP-2VMT-2B-N8F-FL	1/2 "-F	1/4"-F	Flange

HIGH PRESSURE THREE VALVE MANIFOLD-REMOTE MOUNT (Pipe x Pipe)

HP- Series- Double Bonnet

Valve Features

- Maximum working pressure 6000PSI at 100oF(38oC)
- Working Temperature -65oF(-54oC) to 356oF(180oC)
- Non rotating stem design reduce galling and provide excellent seal on seat
- Stem threads are rolled and lubricated to prevent galling and reduces operating torque
- PTFE packing is standard and for higher temperature application Graphoil is used
- Gland packing can be adjusted to extend the valve life.
- Back seat stop stem for blowout prevention
- Bonnet lock pin prevents accidental removal while in operation
- Low Torque operating T bar Handle
- 100% Quality Tested
- Full Material Traceability
- Hydro test performed @ of 1.5 times of working pressure
- Protective Dust cap provided to prevent contaminants entry
- Sour gas service conforms to NACE MR0175 is optional



Components Key

Sl. No.	Description	Material	Quantity No.
1	Valve Body	SS 316L	1
2	Gland Body	SS 316L	3
3	Gland Retainer	SS 304	3
4	Gland Packing	PTFE	6
5	Check Nut	SS 304	3
6	Stem	SS 316L	3
7	Trim	SS 316L	3
8	Handle	SS 304	3
9	Allen Bolt	SS 304	3
10	Lock Pin	SS 304	3
11	Dust Cap	PE	3

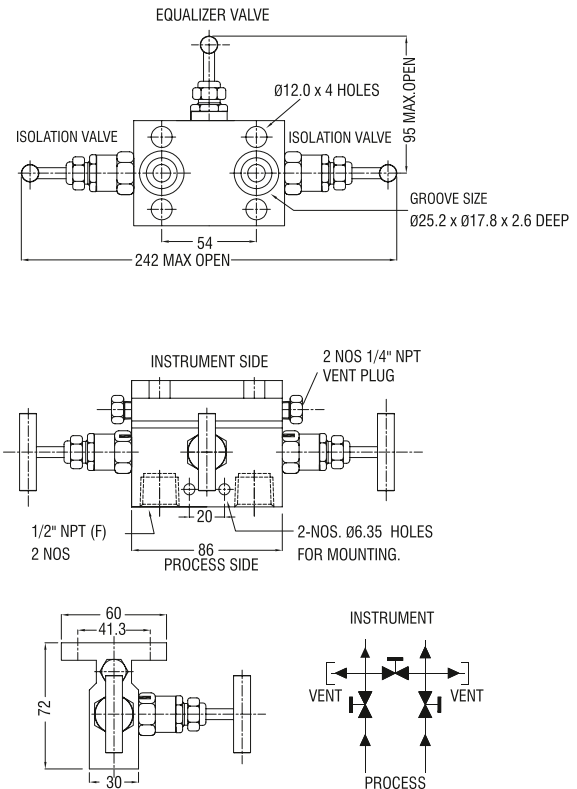
HP-Series-NPT-6000PSI

Part no.	Port Connection Size-Inch		
	Process	Vent	Instrument
IV-HP-3VMR-2B-N8F-F	1/2"-F	1/4"-F	1/2"-F

HIGH PRESSURE THREE VALVE MANIFOLD-DIRECT MOUNT-T Type (Pipe x Flange) HP- Series- Double Bonnet

Valve Features

- Maximum working pressure 6000PSI at 100oF(38oC)
- Working Temperature -65oF(-54oC) to 356oF(180oC)
- Non rotating stem design reduce galling and provide excellent seal on seat
- Stem threads are rolled and lubricated to prevent galling and reduces operating torque
- PTFE packing is standard and for higher temperature application Graphoil is used
- Gland packing can be adjusted to extend the valve life.
- Back seat stop stem for blowout prevention
- Bonnet lock pin prevents accidental removal while in operation
- Low Torque operating T bar Handle
- 100% Quality Tested
- Full Material Traceability
- Hydro test performed @ of 1.5 times of working pressure
- Protective Dust cap provided to prevent contaminants entry
- Sour gas service conforms to NACE MR0175 is optional



Components Key

Sl. No.	Description	Material	Quantity No.
1	Valve Body	SS 316L	1
2	Gland Body	SS 316L	2
3	Gland Retainer	SS 304	2
4	Gland Packing	PTFE	4
5	Check Nut	SS 304	2
6	Stem	SS 316L	2
7	Trim	SS 316L	2
8	Handle	SS 304	2
9	Allen Bolt	SS 304	2
10	Lock Pin	SS 304	2
11	Dust Cap	PE	2

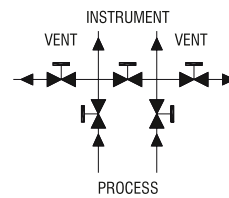
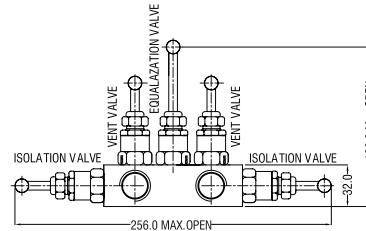
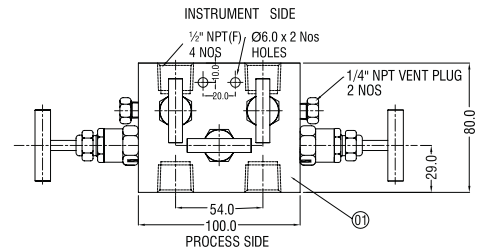
HP-Series-NPT-6000PSI

Part no.	Port Connection Size-Inch		
	Process	Vent	Instrument
IV-HP-2VMT-2B-N8F-FL	1/2"-F	1/4"-F	Flange

HIGH PRESSURE FIVE VALVE MANIFOLD-REMOTE MOUNT (Pipe x Pipe) HP- Series- Double Bonnet

Valve Features

- Maximum working pressure 6000PSI at 100oF(38oC)
- Working Temperature -65oF(-54oC) to 356oF(180oC)
- Non rotating stem design reduce galling and provide excellent seal on seat
- Stem threads are rolled and lubricated to prevent galling and reduces operating torque
- PTFE packing is standard and for higher temperature application Graphoil is used
- Gland packing can be adjusted to extend the valve life.
- Back seat stop stem for blowout prevention
- Bonnet lock pin prevents accidental removal while in operation
- Low Torque operating T bar Handle
- 100% Quality Tested
- Full Material Traceability
- Hydro test performed @ of 1.5 times of working pressure
- Protective Dust cap provided to prevent contaminants entry
- Sour gas service conforms to NACE MR0175 is optional



Components Key

Sl. No.	Description	Material	Quantity No.
1	Valve Body	SS 316L	1
2	Gland Body	SS 316L	5
3	Gland Retainer	SS 304	5
4	Gland Packing	PTFE	10
5	Check Nut	SS 304	5
6	Stem	SS 316L	5
7	Trim	SS 316L	5
8	Handle	SS 304	5
9	Allen Bolt	SS 304	5
10	Lock Pin	SS 304	5
11	Dust Cap	PE	5

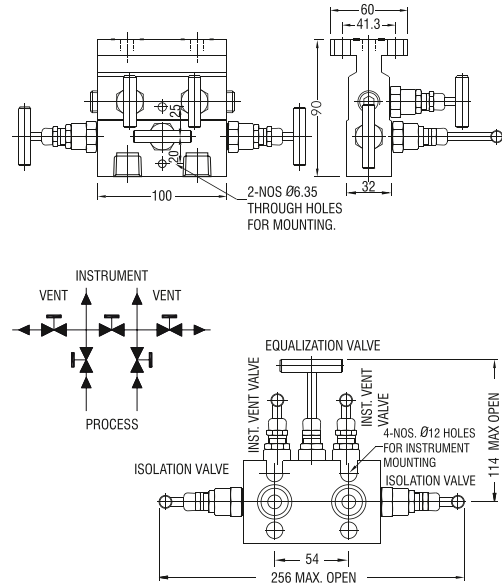
HP-Series-NPT-6000PSI

Part no.	Port Connection Size-Inch		
	Process	Vent	Instrument
IV-HP-5VMR-2B-N8F-F	1/2"-F	1/4"-F	1/2"-F

HIGH PRESSURE FIVE VALVE MANIFOLD-DIRECT MOUNT-T Type (Pipe x Flange) HP- Series- Double Bonnet

Valve Features

- Maximum working pressure 6000PSI at 100oF(38oC)
- Working Temperature -65oF(-54oC) to 356oF(180oC)
- Non rotating stem design reduce galling and provide excellent seal on seat
- Stem threads are rolled and lubricated to prevent galling and reduces operating torque
- PTFE packing is standard and for higher temperature application Graphoil is used
- Gland packing can be adjusted to extend the valve life.
- Back seat stop stem for blowout prevention
- Bonnet lock pin prevents accidental removal while in operation
- Low Torque operating T bar Handle
- 100% Quality Tested
- Full Material Traceability
- Hydro test performed @ of 1.5 times of working pressure
- Protective Dust cap provided to prevent contaminants entry
- Sour gas service conforms to NACE MR0175 is optional



Components Key

Sl. No.	Description	Material	Quantity No.
1	Valve Body	SS 316L	1
2	Gland Body	SS 316L	5
3	Gland Retainer	SS 304	5
4	Gland Packing	PTFE	10
5	Check Nut	SS 304	5
6	Stem	SS 316L	5
7	Trim	SS 316L	5
8	Handle	SS 304	5
9	Allen Bolt	SS 304	5
10	Lock Pin	SS 304	5
11	Dust Cap	PE	5

HP-Series-NPT-6000PSI

Part no.	Port Connection Size-Inch		
	Process	Vent	Instrument
IV-HP-5VMT-2B-N8F-FL	1/2"-F	1/4"-F	Flange



IDEAL

VALVES AND FITTINGS COMPANY

Manufactured by:

IDEAL Valves & Fittings Co.,
Balaji Industrial Park
Gala No.C/18, Tondre Behind Hindalco Co., MIDC,
Taloja , Panavel, Raigad District,
Maharashtra, India

mail to : idealvalves@gmail.com

