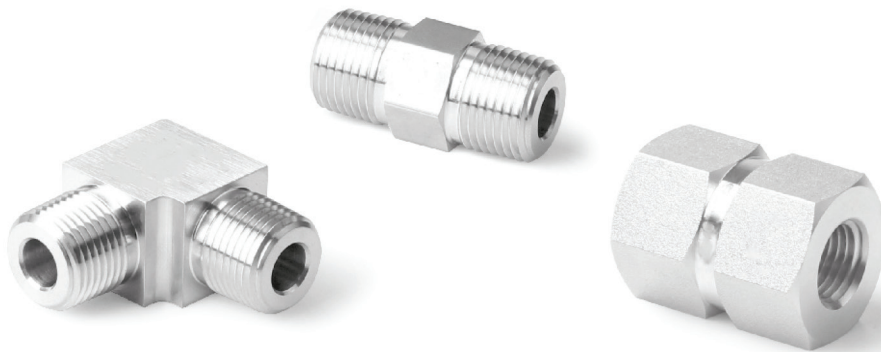




IDEAL PIPE FITTINGS



**IDEAL**  
VALVES AND FITTINGS COMPANY

# IDEAL

VALVES AND FITTINGS COMPANY

**IDEAL Valves & Fittings Co.**, is the designer and manufacturer of stainless steel (SS) Valve Manifolds, Needle valves, Tube Fittings, Pipe Fittings, Ball Valves, Isolation Valves and Special Accessories used in Instrumentation, Hydraulics, Pneumatics with great care to meet the specifications required for a wide range of applications in Oil & Gas Industries, Chemical and Petrochemicals, Power generation, Agrochemicals, Pharmaceuticals & Vacuum Applications. Ideal Valves and Fitting co. based in Mumbai, Maharashtra, the financial capital of India.



## MISSION

The mission of **Ideal Valves & Fittings Co.**, having commitment to deliver products and services to customers to meet their requirements and expectation by providing quality products and very timely service. We are focussing on long term commitment to the industry and our customers, which is achievable through collective Experience, Quality, Reliability and Improvement.

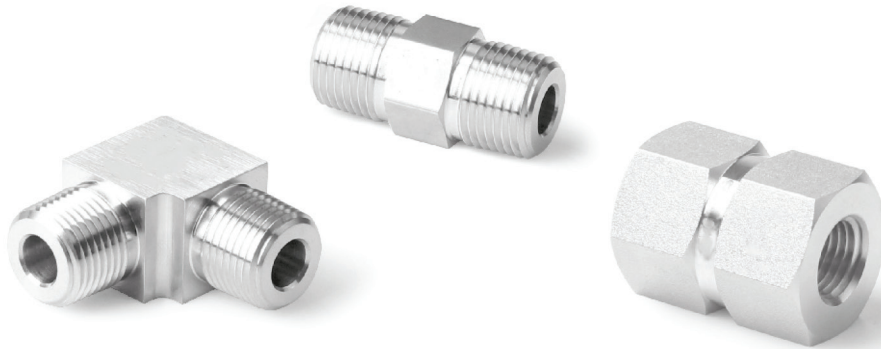
## VISION

**Ideal Valves & Fittings Co.**, has a vision based on its commitment of continuous improvement and product innovation to meet industry requirements through customer feedback. The Company committed to provide the best possible solution to customer by quality products and services.

We offer a wide range of service to our clients. Procurement of raw materials from qualified and approved vendors and with complete traceability and test certificates. **Ideal Valves and Fitting Co.**, is the one – stop for all your valves & fittings needs; our marketing and manufacturing experience will help our customer to achieve the accurate and anticipated solution swiftly.

**IDEAL** products are undergone stringent quality control test under qualified personals using inhouse laboratory facilities. All valves tested according to ANSI-B16.5 by using test medium the air, hydrogen and helium.

# IDEAL PIPE FITTINGS



## FEATURES OF IDEAL PIPE FITTINGS

- Fittings manufactured from High Tensile SS 316\* as standard material
- Highly smooth surface finished and hardened threads prevent from galling
- Long fitting service life
- Smooth flow path design
- Suitable for High Temperature and Pressure application
- Fittings connections are available in different thread configuration
- Easy traceability

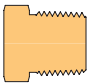
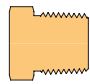
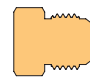
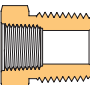
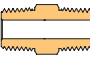
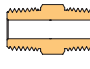
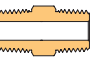
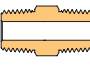
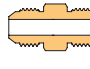
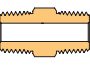
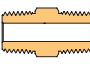
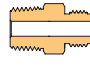
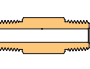
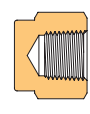
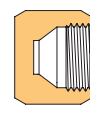
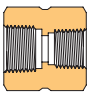
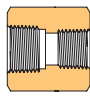
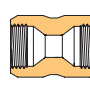
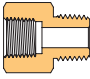
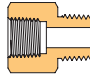
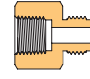
Type of Fitting Connection*	Thread Type	Ref. Standard	Thread Designator
NPT	NPT	ASME B 1.20.1, SAE AS71051	N
ISO/BSP Tapered	ISO/BSPT	ISO 7-1, BSEN 10226-1, JIS B0203	R
ISO/BSP Parallel	ISO/BSPP	JIS B0202, DIN ISO 228/1, BS 2779, ISO 228/1-BSP-P	G
JIC (37° Flare)	SAE/MS	ASME B1.1	

\*Fittings from other materials and connection types are available on request.  
Dimensions are in Millimeter or in Inch.

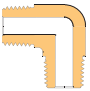
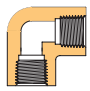
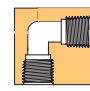
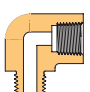
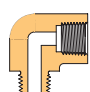
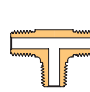
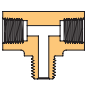

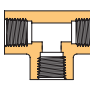

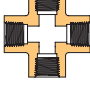
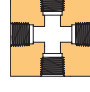
### ▲ WARNING

- A thread sealant shall always be used when assembling tapered thread fittings.
- Do not try to loosen or tighten the fittings when the system is under pressure.

# IDEAL PIPE FITTINGS INDEX

 <p>PLUGS IVPP-N</p> <p><b>06</b></p>	 <p>PLUGS IVPP-G</p> <p><b>07</b></p>	 <p>PLUGS IVPP-J</p> <p><b>07</b></p>
 <p>BUSHING IVPB-N</p> <p><b>08</b></p>	 <p>HEX NIPPLES (6000 psi) IVPN-N</p> <p><b>09</b></p>	 <p>HEX NIPPLES (10000 psi) IVPN-N</p> <p><b>10</b></p>
 <p>HEX NIPPLES (6000 psi) IVPN-G</p> <p><b>11</b></p>	 <p>HEX NIPPLES (10000 psi) IVPN-G</p> <p><b>12</b></p>	 <p>HEX NIPPLES IVPN-J</p> <p><b>13</b></p>
 <p>HEX NIPPLES (6000 psi) IVPN-N-G</p> <p><b>14</b></p>	 <p>HEX NIPPLES (10000 psi) IVPN-N-G</p> <p><b>15</b></p>	 <p>HEX NIPPLES IVPN-N-J</p> <p><b>16</b></p>
 <p>HEX LONG NIPPLES IVPLN-N</p> <p><b>17</b></p>	 <p>CAPS IVPCA-N</p> <p><b>18</b></p>	 <p>CAPS IVPCA-J</p> <p><b>19</b></p>
 <p>HEX COUPLINGS IVPC-N</p> <p><b>20</b></p>	 <p>HEX COUPLINGS (ROUND BODY) IVPCR-N</p> <p><b>21</b></p>	 <p>HEX COUPLINGS IVPC-J</p> <p><b>22</b></p>
 <p>ADAPTERS (6000 psi) IVPA-N</p> <p><b>23</b></p>	 <p>ADAPTERS (10000 psi) IVPA-N</p> <p><b>24</b></p>	 <p>ADAPTERS IVPA-N-J</p> <p><b>25</b></p>



 <p><b>MALE ELBOWS</b> IVPME-N</p> <p><b>26</b></p>	 <p><b>FEMALE ELBOWS</b> IVPFE-N</p> <p><b>27</b></p>	 <p><b>FEMALE BLOCK ELBOWS</b> IVPFBE-N</p> <p><b>28</b></p>
 <p><b>STREET ELBOWS (6000 psi)</b> IVPSE-N</p> <p><b>29</b></p>	 <p><b>STREET ELBOWS (10000 psi)</b> IVPSE-N</p> <p><b>30</b></p>	 <p><b>MALE TEES</b> IVPMT-N</p> <p><b>31</b></p>
 <p><b>MALE BRANCH TEES</b> IVPMBT-N</p> <p><b>32</b></p>	 <p><b>MALE STREET TEES</b> IVPMST-N</p> <p><b>33</b></p>	 <p><b>FEMALE TEES</b> IVPFT-N</p> <p><b>34</b></p>
 <p><b>FEMALE BLOCK TEES</b> IVPFBT-N</p> <p><b>35</b></p>	 <p><b>FEMALE CROSSES</b> IVPFX-N</p> <p><b>36</b></p>	 <p><b>FEMALE BLOCK CROSSES</b> IVPFBX-N</p> <p><b>37</b></p>

Example of item ordering

1. Male Branch Tee 1/2 inch NPT Thread (Page no. 32)

Material\* > Product code\*\* > Fitting type 'T'\*\*\* > Fitting size 'T'

**SS316 > IVPMBT > N (NPT) > 8**

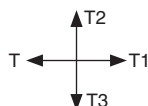
2. Female Cross 3/4 inch NPT Thread (page no 36)

Material\* > Product code\*\* > Fitting type 'T'\*\*\* > Fitting size 'T' > Fitting type T1 > Fitting size T1 > Fitting type T2 > Fitting size T2 > Fitting type T3 > Fitting size T3

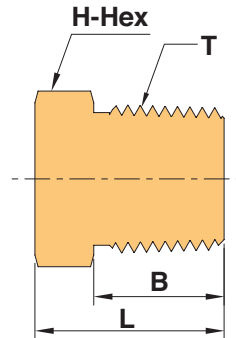
**SS316 > IVPFX > N(NPT) > 12**

\*Materials - SS316, SS316L etc, \*\*Product code eg IVPMBT, IVPFC etc... \*\*\*N(NPT Thread), G(ISO / BSPP Thread), J (JIC)

Follow IDEAL Fitting combination rule.



# PLUGS IVPP-N



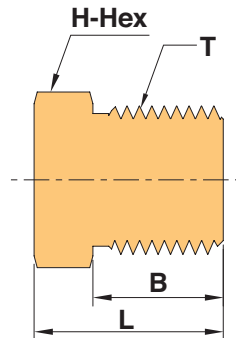
## MALE NPT THREADS-6000psi

Part Number	T-NPT Inch	L mm	B mm	H-Hex. Width mm	Nominal Working Pressure psi
IVPP6-N-2	1/8	16.00	9.70	11.00	6000
IVPP6-N-4	1/4	22.00	14.00	14.00	6000
IVPP6-N-6	3/8	23.50	14.00	17.00	6000
IVPP6-N-8	1/2	29.50	18.00	22.00	6000
IVPP6-N-12	3/4	32.00	18.00	27.00	6000
IVPP6-N-16	1	39.00	24.00	36.00	6000

## MALE NPT THREADS-10000 psi

Part Number	T-ISO/BSPT Inch	L mm	B mm	H-Hex. Width mm	Nominal Working Pressure psi
IVPP10-N-2	1/8	16.00	10.00	13.00	10000
IVPP10-N-4	1/4	22.00	14.00	17.00	10000
IVPP10-N-6	3/8	23.50	14.00	24.00	10000
IVPP10-N-8	1/2	29.50	19.00	25.00	10000
IVPP10-N-12	3/4	32.00	19.00	32.00	10000
IVPP10-N-16	1	39.00	24.00	40.00	10000

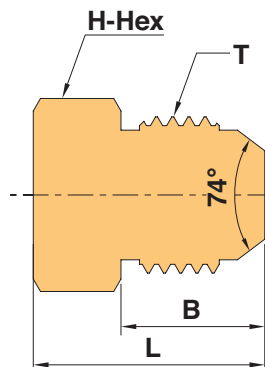
## PLUGS IVPP-G



MALE ISO/BSP THREADS-10000 psi

Part Number	T-ISO/BSP Inch	L mm	B mm	H-Hex. Width mm	Nominal Working Pressure psi
IVPP10-G-2	1/8	15.00	7.00	11.00	10000
IVPP10-G-4	1/4	22.00	12.00	16.00	10000
IVPP10-G-6	3/8	22.00	12.00	22.00	10000
IVPP10-G-8	1/2	24.00	14.00	25.00	10000
IVPP10-G-12	3/4	28.00	16.00	32.00	10000
IVPP10-G-16	1	33.00	18.00	38.00	10000

## PLUGS IVPP-J

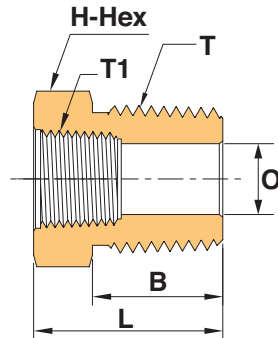


MALE JIC- 10000 psi

Part Number	T-SAE/MS Inch	L mm	B mm	H-Hex. Width mm	Nominal Working Pressure psi
IVPP10-J-4	7/16-20	21.00	14.00	13.00	10000
IVPP10-J-6	9/16-18	22.50	14.00	16.00	10000
IVPP10-J-8	3/4-16	27.00	17.00	20.00	10000
IVPP10-J-10	7/8-14	30.00	19.00	24.00	10000
IVPP10-J-12	1.1/16-12	35.00	22.00	28.00	10000
IVPP10-J-16	1.5/16-12	38.00	23.00	35.00	10000

**Note:** Other than above shown threads fittings are available up on request.

# BUSHING IVPB-N



## NPT THREADS – 6000 psi

Part Number	T-NPT Inch	T1-NPT Inch	L mm	B mm	O-Min. mm	H-Hex. Width mm	Nominal Work- ing Pressure psi
IVPB6-N-4M-2F	1/4	1/8	22.00	14.00	3.50	14.00	6000
IVPB6-N-6M-4F	3/8	1/4	23.50	14.00	7.00	19.00	6000
IVPB6-N-8M-2F	1/2	3/8	29.50	19.00	8.00	22.00	6000
IVPB6-N-8M-4F	1/2	1/4	29.50	19.00	7.00	22.00	6000
IVPB6-N-12M-8F	3/4	1/2	32.00	19.00	12.00	28.00	6000
IVPB6-N-16M-8F	1	1/2	39.00	24.00	12.00	36.00	6000
IVPB6N-16M-12F	1	3/4	39.00	24.00	16.00	36.00	6000
IVPB6-N-16-12	1	3/4	46.00	24.00	12.00	36.00	6000

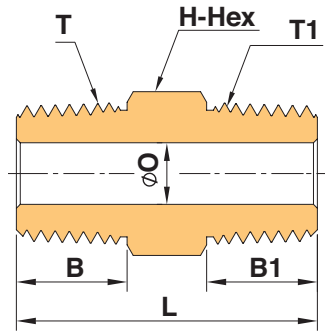
## NPT THREADS –10000 psi

Part Number	T-NPT Inch	T1-NPT Inch	L mm	B mm	O-Min. mm	H-Hex. Width mm	Nominal Work- ing Pressure psi
IVPB10-N-4M-2F	1/4	1/8	22.00	14.00	3.00	14.00	10000
IVPB10-N-6M-4F	3/8	1/4	23.50	14.00	5.00	19.00	10000
IVPB10-N-8M-2F	1/2	3/8	29.50	19.00	7.00	22.00	10000
IVPB10-N-8M-4F	1/2	1/4	29.50	19.00	5.00	22.00	10000
IVPB10-N-12M-8F	3/4	1/2	32.00	19.00	10.00	28.00	10000
IVPB10-N-16M-8F	1	1/2	39.00	24.00	10.00	36.00	10000
IVPB10-N-16M-12F	1	3/4	39.00	24.00	14.00	36.00	10000
IVPB10-N-16-12	1	3/4	48.00	24.00	10.00	36.00	10000

**Note:** Other than above shown threads fittings are available up on request.



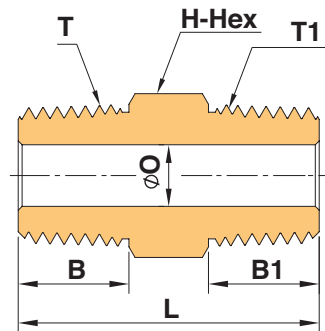
## HEX NIPPLES IVPN-N



### MALE NPT THREADS – 6000 psi

Part Number	T-NPT Inch	T1-NPT Inch	L mm	B mm	B1 mm	O-Min. mm	H-Hex. Width mm	Nominal Working Pressure psi
IVPN6-N2-2	1/8	1/8	26.30	9.80	9.80	4.80	11.00	6000
IVPN6-N4-4	1/4	1/4	35.50	14.20	14.20	6.40	14.00	6000
IVPN6-N4-2	1/4	1/8	31.00	14.20	9.80	4.80	14.00	6000
IVPN6-N6-6	3/8	3/8	36.50	14.20	14.20	7.90	18.00	6000
IVPN6-N6-2	3/8	1/8	32.00	14.20	9.80	4.80	18.00	6000
IVPN6-N6-4	3/8	1/4	36.50	14.20	14.20	6.40	18.00	6000
IVPN6-N8-8	1/2	1/2	46.50	19.10	19.10	9.60	22.00	6000
IVPN6-N8-2	1/2	1/8	37.20	19.10	9.80	4.80	22.00	6000
IVPN6-N8-4	1/2	1/4	41.80	19.10	14.20	6.40	22.00	6000
IVPN6-N8-6	1/2	3/8	41.80	19.10	14.20	7.90	22.00	6000
IVPN6-N12-12	3/4	3/4	55.50	19.10	19.10	14.80	27.00	6000
IVPN6-N12-2	3/4	1/8	39.50	19.10	9.80	4.80	27.00	6000
IVPN6-N12-4	3/4	1/4	43.50	19.10	14.20	6.40	27.00	6000
IVPN6-N12-6	3/4	3/8	44.00	19.10	14.20	7.90	27.00	6000
IVPN6-N12-8	3/4	1/2	49.00	19.10	19.10	9.60	27.00	6000
IVPN6-N16-16	1	1	62.00	24.00	24.00	19.50	35.00	6000
IVPN6-N16-2	1	1/8	48.00	24.00	9.80	4.80	35.00	6000
IVPN6-N16-4	1	1/4	52.50	24.00	14.20	6.40	35.00	6000
IVPN6-N16-6	1	3/8	52.50	24.00	14.20	7.90	35.00	6000
IVPN6-N16-8	1	1/2	57.00	24.00	19.10	9.60	35.00	6000
IVPN6-N16-12	1	3/4	57.00	24.00	19.10	14.80	35.00	6000

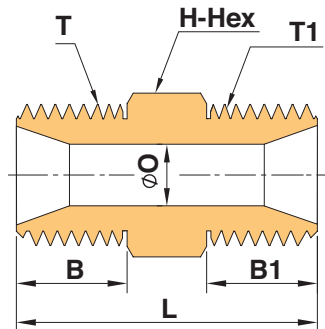
## HEX NIPPLES IVPN-N



### MALE NPT THREADS – 10000 psi

Part Number	T-NPT Inch	T1-NPT Inch	L mm	B mm	B1 mm	O-Min. mm	H-Hex. Width mm	Nominal Working Pressure psi
IVPN10-N2-2	1/8	1/8	26.30	9.80	9.80	4.00	12.00	10000
IVPN10-N4-4	1/4	1/4	35.50	14.20	14.20	4.40	17.00	10000
IVPN10-N4-2	1/4	1/8	31.00	14.20	9.80	4.00	17.00	10000
IVPN10-N6-6	3/8	3/8	36.50	14.20	14.20	5.80	19.00	10000
IVPN10-N6-2	3/8	1/8	32.00	14.20	9.80	4.00	19.00	10000
IVPN10-N6-4	3/8	1/4	36.50	14.20	14.20	4.40	19.00	10000
IVPN10-N8-8	1/2	1/2	46.50	19.10	19.10	7.90	25.00	10000
IVPN10-N8-2	1/2	1/8	37.20	19.10	9.80	4.00	25.00	10000
IVPN10-N8-4	1/2	1/4	41.80	19.10	14.20	4.40	25.00	10000
IVPN10-N8-6	1/2	3/8	41.80	19.10	14.20	5.80	25.00	10000
IVPN10-N12-12	3/4	3/4	55.50	19.10	19.10	9.60	32.00	10000
IVPN10-N12-4	3/4	1/4	43.50	19.10	14.20	4.40	32.00	10000
IVPN10-N12-6	3/4	3/8	44.00	19.10	14.20	5.80	32.00	10000
IVPN10-N12-8	3/4	1/2	49.00	19.10	19.10	7.90	32.00	10000
IVPN10-N16-16	1	1	62.00	24.00	24.00	11.90	36.00	10000
IVPN10-N16-4	1	1/4	52.50	24.00	14.20	4.40	36.00	10000
IVPN10-N16-6	1	3/8	52.50	24.00	14.20	5.80	36.00	10000
IVPN10-N16-8	1	1/2	57.00	24.00	19.10	7.90	36.00	10000
IVPN10-N16-12	1	3/4	57.00	24.00	19.10	9.60	36.00	10000

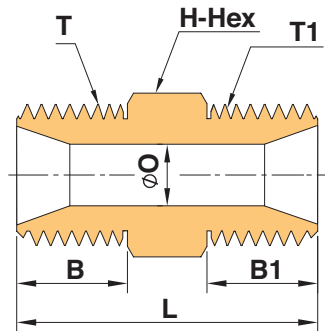
## HEX NIPPLES IVPN-G



### MALE ISO/BSPP THREADS – 6000 psi

Part Number	T-ISO/BSPP Inch	T1-ISO/BSPP Inch	L mm	B mm	B1 mm	O-Min. mm	H-Hex. Width mm	Nominal Working Pressure psi
IVPN6-G2-2	1/8	1/8	21.00	7.00	7.00	4.80	11.00	6000
IVPN6-G4-4	1/4	1/4	31.00	12.00	12.00	6.40	14.00	6000
IVPN6-G4-2	1/4	1/8	26.00	12.00	7.00	4.80	14.00	6000
IVPN6-G6-6	3/8	3/8	34.00	13.00	13.00	7.90	18.00	6000
IVPN6-G6-2	3/8	1/8	29.00	13.00	7.00	4.80	18.00	6000
IVPN6-G6-4	3/8	1/4	33.00	13.00	12.00	6.40	18.00	6000
IVPN6-G8-8	1/2	1/2	36.00	14.00	14.00	9.60	22.00	6000
IVPN6-G8-2	1/2	1/8	29.00	14.00	7.00	4.80	22.00	6000
IVPN6-G8-4	1/2	1/4	34.00	14.00	12.00	6.40	22.00	6000
IVPN6-G8-6	1/2	3/8	35.00	14.00	13.00	7.90	22.00	6000
IVPN6-G12-12	3/4	3/4	41.00	16.00	16.00	14.80	27.00	6000
IVPN6-G12-2	3/4	1/8	30.00	16.00	7.00	4.80	27.00	6000
IVPN6-G12-4	3/4	1/4	37.00	16.00	12.00	6.40	27.00	6000
IVPN6-G12-6	3/4	3/8	38.00	16.00	13.00	7.90	27.00	6000
IVPN6-G12-8	3/4	1/2	39.00	16.00	14.00	9.60	27.00	6000
IVPN6-G16-16	1	1	48.00	17.50	17.50	20.00	35.00	6000
IVPN6-G16-2	1	1/8	38.00	17.50	7.00	4.80	35.00	6000
IVPN6-G16-4	1	1/4	43.00	17.50	12.00	6.40	35.00	6000
IVPN6-G16-6	1	3/8	44.00	17.50	13.00	7.90	35.00	6000
IVPN6-G16-8	1	1/2	45.00	17.50	14.00	9.60	35.00	6000
IVPN6-G16-12	1	3/4	47.00	17.50	16.00	14.80	35.00	6000

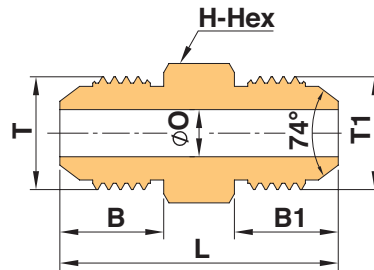
## HEX NIPPLES IVPN-G



### MALE ISO/BSPP THREADS – 10000 psi

Part Number	T-ISO/BSPP Inch	T1-ISO/BSPP Inch	L mm	B mm	B1 mm	O-Min. mm	H-Hex. Width mm	Nominal Working Pressure psi
IVPN10-G2-2	1/8	1/8	21.00	7.00	7.00	4.00	12.00	10000
IVPN10-G4-4	1/4	1/4	31.00	12.00	12.00	4.40	17.00	10000
IVPN10-G4-2	1/4	1/8	26.00	12.00	7.00	4.00	17.00	10000
IVPN10-G6-6	3/8	3/8	34.00	13.00	13.00	5.80	19.00	10000
IVPN10-G6-2	3/8	1/8	29.00	13.00	7.00	4.00	19.00	10000
IVPN10-G6-4	3/8	1/4	33.00	13.00	12.00	4.40	19.00	10000
IVPN10-G8-8	1/2	1/2	36.00	14.00	14.00	7.90	25.00	10000
IVPN10-G8-2	1/2	1/8	29.00	14.00	7.00	4.00	25.00	10000
IVPN10-G8-4	1/2	1/4	34.00	14.00	12.00	4.40	25.00	10000
IVPN10-G8-6	1/2	3/8	35.00	14.00	13.00	5.80	25.00	10000
IVPN10-G12-12	3/4	3/4	41.00	16.00	16.00	9.60	32.00	10000
IVPN10-G12-4	3/4	1/4	37.00	16.00	12.00	4.40	32.00	10000
IVPN10-G12-6	3/4	3/8	38.00	16.00	13.00	5.80	32.00	10000
IVPN10-G12-8	3/4	1/2	39.00	16.00	14.00	7.90	32.00	10000
IVPN10-G16-16	1	1	48.00	17.50	17.50	11.90	36.00	10000
IVPN10-G16-4	1	1/4	43.00	17.50	12.00	4.40	36.00	10000
IVPN10-G16-6	1	3/8	44.00	17.50	13.00	5.80	36.00	10000
IVPN10-G16-8	1	1/2	45.00	17.50	14.00	7.90	36.00	10000
IVPN10-G16-12	1	3/4	47.00	17.50	16.00	9.60	36.00	10000

## HEX NIPPLES IVPN-J



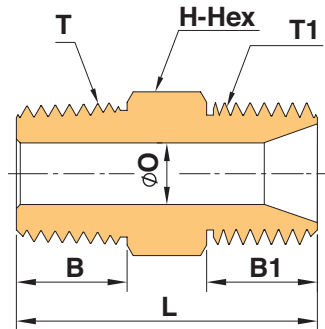
### MALE JIC – 6000 psi

Part Number	T-Size Inch	T-SAE/MS Inch	T1-Size Inch	T1-SAE/ MS Inch	L mm	B mm	B1 mm	O-Min. mm	H-Hex. Width mm	Nominal Working Pressure psi
IVPN6-J-4-4	1/8	5/16-24	1/8	5/16-24	32.00	12.00	12.00	3.50	12.00	6000
IVPN6-J-4-4	1/4	7/16-20	1/4	7/16-20	38.00	14.00	14.00	5.00	14.00	6000
IVPN6-J-6-6	3/8	9/16-18	3/8	9/16-18	40.00	14.00	14.00	6.00	19.00	6000
IVPN6-J-6-4	3/8	9/16-18	1/4	7/16-20	38.00	14.00	14.00	5.00	19.00	6000
IVPN6-J-8-8	1/2	3/4-16	1/2	3/4-16	44.00	17.00	17.00	10.00	22.00	6000
IVPN6-J-8-6	1/2	3/4-16	3/8	9/16-18	41.50	17.50	14.00	8.00	22.00	6000
IVPN6-J-12-12	3/4	1.1/16-12	3/4	1.1/16-12	60.00	24.00	24.00	12.00	32.00	6000
IVPN6-J-12-6	3/4	1.1/16-12	3/8	9/16-18	45.00	19.00	14.00	8.00	28.00	6000
IVPN6-J-12-8	3/4	1.1/16-12	1/2	3/4-16	48.50	19.00	17.50	10.00	28.00	6000
IVPN6-J-16-16	1	1.5/16-12	1	1.5/16-12	62.00	25.00	25.00	16.00	36.00	6000
IVPN6-J-16-12	1	1.5/16-12	3/4	1.1/16-12	65.00	25.00	19.00	12.00	36.00	6000

### MALE JIC – 10000 psi

Part Number	T-Size Inch	T-SAE/MS Inch	T1-Size Inch	T1-SAE/ MS Inch	L mm	B mm	B1 mm	O-Min. mm	H-Hex. Width mm	Nominal Working Pressure psi
IVPN10-J-4-4	1/8	5/16-24	1/8	5/16-24	32.00	12.00	12.00	3.00	12.00	10000
IVPN10-J-4-4	1/4	7/16-20	1/4	7/16-20	38.00	14.00	14.00	4.00	14.00	10000
IVPN10-J-6-6	3/8	9/16-18	3/8	9/16-18	40.00	14.00	14.00	5.00	19.00	10000
IVPN10-J-6-4	3/8	9/16-18	1/4	7/16-20	38.00	14.00	14.00	4.00	19.00	10000
IVPN10-J-8-8	1/2	3/4-16	1/2	3/4-16	44.00	17.00	17.00	8.00	22.00	10000
IVPN10-J-8-6	1/2	3/4-16	3/8	9/16-18	41.50	17.50	14.00	7.00	22.00	10000
IVPN10-J-12-12	3/4	1.1/16-12	3/4	1.1/16-12	60.00	24.00	24.00	10.00	32.00	10000
IVPN10-J-12-6	3/4	1.1/16-12	3/8	9/16-18	45.00	19.00	14.00	7.00	28.00	10000
IVPN10-J-12-8	3/4	1.1/16-12	1/2	3/4-16	48.50	19.00	17.50	8.00	28.00	10000
IVPN10-J-16-16	1	1.5/16-12	1	1.5/16-12	62.00	25.00	25.00	14.00	36.00	10000
IVPN10-J-16-12	1	1.5/16-12	3/4	1.1/16-12	65.00	25.00	19.00	10.00	36.00	10000

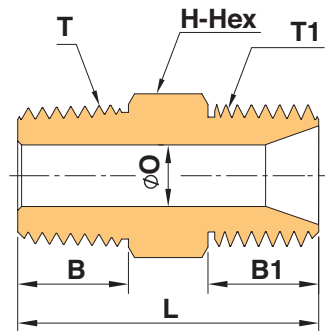
## HEX NIPPLES IVPN-N-G



### MALE NPT x ISO/BSPP THREADS- 6000 psi

Part Number	T-NPT Inch	T1-ISO/BSPP Inch	L mm	B mm	B1 mm	O-Min. mm	H-Hex. Width mm	Nominal Working Pressure psi
IVPN6-N2-G2	1/8	1/8	23.80	9.80	7.00	4.80	11.00	6000
IVPN6-N4-G4	1/4	1/4	33.20	14.20	12.00	6.40	14.00	6000
IVPN6-N4-G2	1/4	1/8	28.20	14.20	7.00	4.80	14.00	6000
IVPN6-N6-G6	3/8	3/8	35.00	14.20	13.00	7.90	18.00	6000
IVPN6-N6-G2	3/8	1/8	29.20	14.20	7.00	4.80	18.00	6000
IVPN6-N6-G4	3/8	1/4	34.20	14.20	12.00	6.40	18.00	6000
IVPN6-N8-G8	1/2	1/2	41.10	19.10	14.00	9.60	22.00	6000
IVPN6-N8-G2	1/2	1/8	34.10	19.10	7.00	4.80	22.00	6000
IVPN6-N8-G4	1/2	1/4	39.10	19.10	12.00	6.40	22.00	6000
IVPN6-N8-G6	1/2	3/8	40.10	19.10	13.00	7.90	22.00	6000
IVPN6-N12-G12	3/4	3/4	45.10	19.10	16.00	14.80	27.00	6000
IVPN6-NR12-G2	3/4	1/8	36.10	19.10	7.00	5.50	27.00	6000
IVPN6-N12-G4	3/4	1/4	41.10	19.10	12.00	7.10	27.00	6000
IVPN6-N12-G6	3/4	3/8	42.10	19.10	13.00	9.60	27.00	6000
IVPN6-N12-G8	3/4	1/2	43.10	19.10	14.00	11.90	27.00	6000
IVPN6-N16-G16	1	1	54.50	24.00	17.50	20.00	35.00	6000
IVPN6-N16-G2	1	1/8	44.00	24.00	7.00	5.50	35.00	6000
IVPN6-N16-G4	1	1/4	49.00	24.00	12.00	7.10	35.00	6000
IVPN6-N16-G6	1	3/8	50.00	24.00	13.00	9.60	35.00	6000
IVPN6-N16-G8	1	1/2	51.00	24.00	14.00	11.90	35.00	6000
IVPN6-N16-G12	1	3/4	53.00	24.00	16.00	14.80	35.00	6000

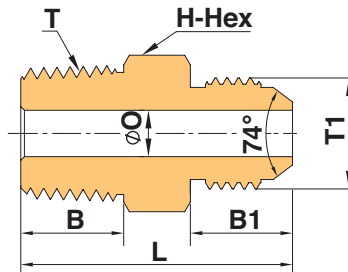
## HEX NIPPLES IVPN-N-G



### MALE NPT x ISO/BSPP THREADS- 10000 psig

Part Number	T-NPT Inch	T1-ISO/BSPP Inch	L mm	B mm	B1 mm	O-Min. mm	H-Hex. Width mm	Nominal Working Pressure psi
IVPN10-N2-G2	1/8	1/8	23.80	9.80	7.00	4.00	12.00	10000
IVPN10-N4-G4	1/4	1/4	33.20	14.20	12.00	4.40	17.00	10000
IVPN10-N4-G2	1/4	1/8	28.20	14.20	7.00	4.00	17.00	10000
IVPN10-N6-G6	3/8	3/8	35.00	14.20	13.00	5.80	19.00	10000
IVPN10-N6-G2	3/8	1/8	29.20	14.20	7.00	4.00	19.00	10000
IVPN10-N6-G4	3/8	1/4	34.20	14.20	12.00	4.40	19.00	10000
IVPN10-N8-G8	1/2	1/2	41.10	19.10	14.00	7.90	25.00	10000
IVPN10-N8-G2	1/2	1/8	34.10	19.10	7.00	4.00	25.00	10000
IVPN10-N8-G4	1/2	1/4	39.10	19.10	12.00	4.40	25.00	10000
IVPN10-N8-G6	1/2	3/8	40.10	19.10	13.00	5.80	25.00	10000
IVPN10-N12-G12	3/4	3/4	45.10	19.10	16.00	9.60	32.00	10000
IVPN10-N12-G2	3/4	1/8	36.10	19.10	7.00	4.00	32.00	10000
IVPN10-N12-G4	3/4	1/4	41.10	19.10	12.00	4.40	32.00	10000
IVPN10-N12-G6	3/4	3/8	42.10	19.10	13.00	5.80	32.00	10000
IVPN10-N12-G8	3/4	1/2	43.10	19.10	14.00	7.90	32.00	10000
IVPN10-N16-G16	1	1	54.50	24.00	17.50	11.90	36.00	10000
IVPN10-N16-G2	1	1/8	44.00	24.00	7.00	4.00	36.00	10000
IVPN10-N16-G4	1	1/4	49.00	24.00	12.00	4.40	36.00	10000
IVPN10-N16-G6	1	3/8	50.00	24.00	13.00	5.80	36.00	10000
IVPN10-N16-G8	1	1/2	51.00	24.00	14.00	7.90	36.00	10000
IVPN10-N16-G12	1	3/4	53.00	24.00	16.00	9.60	36.00	10000

## HEX NIPPLES IVPN-N-J



MALE NPT THREADS x MALE JIC – 6000 psi

Part Number	T-NPT Inch	T1-Size Inch	T1-SAE/MS Inch	L mm	B mm	B1 mm	O-Min. mm	H-Hex. Width mm	Nominal Working Pressure psi
IVPN6-N2-J4	1/8	7/16-20	31.50	9.70	14.00	4.00	13.00	10000	6000
IVPN6-N2-J6	1/8	9/16-18	33.50	9.70	14.10	4.00	16.00	10000	6000
IVPN6-N4-J4	1/4	7/16-20	37.00	14.20	14.00	4.40	14.00	10000	6000
IVPN6-N4-J6	1/4	9/16-18	38.00	14.20	14.10	4.40	16.00	10000	6000
IVPN6-N4-J8	1/4	3/4-16	42.00	14.20	16.70	4.40	20.50	10000	6000
IVPN6-N6-J4	3/8	7/16-20	38.50	14.20	14.00	4.40	17.00	10000	6000
IVPN6-N6-J6	3/8	9/16-18	38.50	14.20	14.10	5.80	17.00	10000	6000
IVPN6-N6-J8	3/8	3/4-16	41.00	14.20	16.70	5.80	21.00	10000	6000
IVPN6-N8-J4	1/2	7/16-20	44.50	19.00	14.00	4.40	22.00	10000	6000
IVPN6-N8-J6	1/2	9/16-18	44.80	19.00	14.10	5.80	22.00	10000	6000
IVPN6-N8-J8	1/2	3/4-16	47.20	19.00	16.70	7.90	22.00	10000	6000
IVPN6-N12-J8	3/4	3/4-16	49.50	19.00	16.70	7.90	27.00	10000	6000
IVPN6-N12-J12	3/4	1.1/16-12	55.00	19.00	22.00	9.60	28.00	10000	6000
IVPN6-N12-J16	3/4	1.5/16-12	58.50	19.00	23.00	9.60	35.00	10000	6000
IVPN6-N16-J12	1	1.1/16-12	62.00	24.00	23.00	9.60	35.00	10000	6000
IVPN6-N16-J16	1	1.5/16-12	63.50	24.00	23.00	11.90	35.00	10000	6000

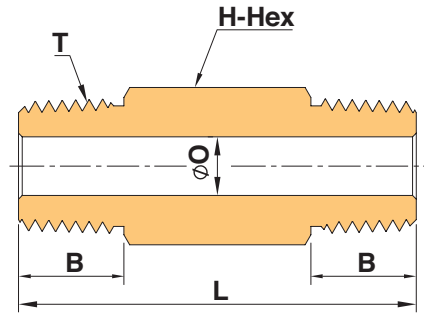
MALE NPT THREADS x MALE JIC – 10000 psi

Part Number	T-NPT Inch	T1-Size Inch	T1-SAE/MS Inch	L mm	B mm	B1 mm	O-Min. mm	H-Hex. Width mm	Nominal Working Pressure psi
IVPN10-N2-J4	1/8	7/16-20	31.50	9.70	14.00	3.50	13.00	10000	10000
IVPN10-N2-J6	1/8	9/16-18	33.50	9.70	14.10	3.50	16.00	10000	10000
IVPN10-N4-J4	1/4	7/16-20	37.00	14.20	14.00	4.00	14.00	10000	10000
IVPN10-N4-J6	1/4	9/16-18	38.00	14.20	14.10	4.00	16.00	10000	10000
IVPN10-N4-J8	1/4	3/4-16	42.00	14.20	16.70	4.00	20.50	10000	10000
IVPN10-N6-J4	3/8	7/16-20	38.50	14.20	14.00	4.00	17.00	10000	10000
IVPN10-N6-J6	3/8	9/16-18	38.50	14.20	14.10	5.00	17.00	10000	10000
IVPN10-N6-J8	3/8	3/4-16	41.00	14.20	16.70	5.00	21.00	10000	10000
IVPN10-N8-J4	1/2	7/16-20	44.50	19.00	14.00	4.00	22.00	10000	10000
IVPN10-N8-J6	1/2	9/16-18	44.80	19.00	14.10	5.00	22.00	10000	10000
IVPN10-N8-J8	1/2	3/4-16	47.20	19.00	16.70	7.00	22.00	10000	10000
IVPN10-N12-J8	3/4	3/4-16	49.50	19.00	16.70	7.00	27.00	10000	10000
IVPN10-N12-J12	3/4	1.1/16-12	55.00	19.00	22.00	8.00	28.00	10000	10000
IVPN10-N12-J16	3/4	1.5/16-12	58.50	19.00	23.00	8.00	35.00	10000	10000
IVPN10-N16-J12	1	1.1/16-12	62.00	24.00	23.00	8.00	35.00	10000	10000
IVPN10-N16-J16	1	1.5/16-12	63.50	24.00	23.00	10.00	35.00	10000	10000

Note: Other than above shown threads fittings are available up on request.



## HEX LONG NIPPLES IVPLN-N



### MALE NPT THREADS - 6000 psi

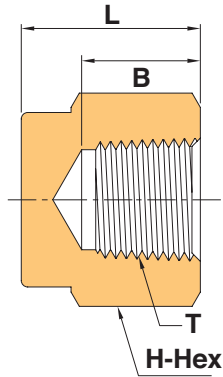
Part Number	T-NPT Inch	L mm	B mm	O-Min. mm	H-Hex. Width mm	Nominal Working Pressure psi
IVPLN6-N4 x 4"	1/4	100.00	14.20	5.00	14.00	6000
IVPLN6-N6 x 4"	3/8	100.00	14.20	8.00	18.00	6000
IVPLN6-N8 x 4"	1/2	100.00	19.10	10.00	22.00	6000
IVPLN6-N8 x 6"	1/2	150.00	19.10	10.00	22.00	6000
IVPLN6-N12 x 4"	3/4	100.00	19.10	14.00	27.00	6000
IVPLN6-N12 x 6"	3/4	150.00	19.10	14.00	27.00	6000
IVPLN6-N16 x 4"	1	100.00	24.00	20.00	35.00	6000
IVPLN6-N16 x 6"	1	150.00	24.00	20.00	35.00	6000

### MALE NPT THREADS – 10000 psi

Part Number	T-NPT Inch	L mm	B mm	O-Min. mm	H-Hex. Width mm	Nominal Working Pressure psi
IVPLN10-N4 x 4"	1/4	100.00	14.20	5.00	17.00	10000
IVPLN10-N6 x 4"	3/8	100.00	14.20	5.00	19.00	10000
IVPLN10-N8 x 4"	1/2	100.00	19.10	8.00	25.00	10000
IVPLN10-N8 x 6"	1/2	150.00	19.10	8.00	25.00	10000
IVPLN10-N12 x 4"	3/4	100.00	19.10	10.00	32.00	10000
IVPLN10-N12 x 6"	3/4	150.00	19.10	10.00	32.00	10000
IVPLN10-N16 x 4"	1	100.00	24.00	14.00	36.00	10000
IVPLN10-N16 x 6"	1	150.00	24.00	14.00	36.00	10000

**Note:** Other than above shown threads fittings are available up on request.

**CAPS  
IVPCA-N**

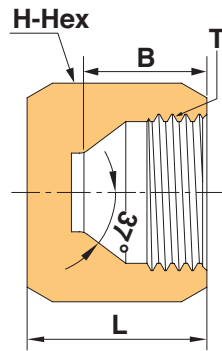


**FEMALE NPT THREADS – 6000 psi**

Part Number	T-NPT Inch	L mm	B mm	H-Hex. Width mm	Nominal Working Pressure psi
IVPCA6-N-2	1/8	19.00	10.50	14.00	6000
IVPCA6-N-4	1/4	23.00	15.00	22.00	6000
IVPCA6-N-6	3/8	26.00	15.00	25.00	6000
IVPCA6-N-8	1/2	34.00	19.80	27.00	6000
IVPCA6-N-12	3/4	37.00	20.50	32.00	6000
IVPCA6-N-16	1	41.00	25.50	41.00	6000

**FEMALE NPT THREADS – 10000 psi**

Part Number	T-NPT Inch	L mm	B mm	H-Hex. Width mm	Nominal Working Pressure psi
IVPCA-N-2	1/8	19.00	10.50	16.00	10000
IVPCA-N-4	1/4	23.00	15.00	24.00	10000
IVPCA-N-6	3/8	26.00	15.00	28.00	10000
IVPCA-N-8	1/2	34.00	19.80	32.00	10000
IVPCA-N-12	3/4	37.00	20.50	38.00	10000
IVPCA-N-16	1	41.00	25.50	45.00	10000

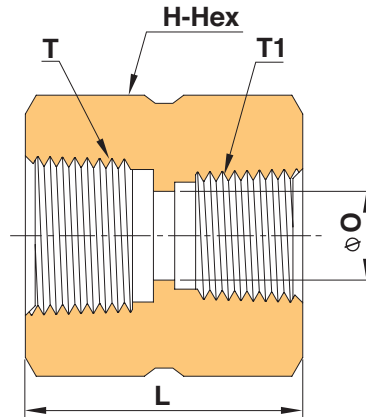


FEMALE JIC – 10000 psi

Part Number	T1-SAE/MS Inch	L mm	B mm	H-Hex. Width mm	Nominal Working Pressure psi
IVPCA10-J4	7/16-20	16.00	11.00	14.00	10000
IVPCA10-J6	9/16-18	18.10	11.00	18.00	10000
IVPCA10-J8	3/4-16	22.00	13.00	22.00	10000
IVPCA10-J12	1.1/16-12	27.00	18.00	32.00	10000
IVPCA10-J16	1.5/16-12	31.00	19.00	38.00	10000

**Note:** Other than above shown threads fittings are available up on request.

# HEX COUPLINGS IVPC-N



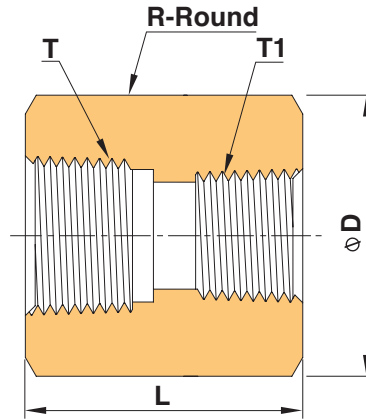
## FEMALE NPT THREADS – 6000 psi

Part Number	T-NPT Inch	T1-NPT Inch	L mm	O-Min. mm	H-Hex. Width mm	Nominal Working Pressure psi
IVPC6-N2-2	1/8	1/8	24.00	8.00	14.00	6000
IVPC6-N4-4	1/4	1/4	33.50	10.40	22.00	6000
IVPC6-N6-6	3/8	3/8	33.50	13.80	25.00	6000
IVPC6-N6-4	3/8	1/4	33.50	10.40	25.00	6000
IVPC6-N8-8	1/2	1/2	43.60	16.80	27.00	6000
IVPC6-N8-4	1/2	1/4	39.00	10.40	27.00	6000
IVPC6-N8-6	1/2	3/8	39.00	13.80	27.00	6000
IVPC6-N12-12	3/4	3/4	46.50	22.50	36.00	6000
IVPC6-N12-4	3/4	1/4	40.00	10.40	36.00	6000
IVPC6-N12-6	3/4	3/8	40.00	13.80	36.00	6000
IVPC6-N12-8	3/4	1/2	45.50	16.80	36.00	6000
IVPC6-N16-16	1	1	55.50	28.00	41.00	6000
IVPC6-N16-8	1	1/2	49.80	16.80	41.00	6000
IVPC6-N16-12	1	3/4	50.60	22.50	41.00	6000

## FEMALE NPT THREADS – 10000 psi

Part Number	T-NPT Inch	T1-NPT Inch	L mm	O-Min. mm	H-Hex. Width mm	Nominal Working Pressure psi
IVPC10-N2-2	1/8	1/8	24.00	8.00	16.00	10000
IVPC10-N4-4	1/4	1/4	33.50	10.40	24.00	10000
IVPC10-N6-6	3/8	3/8	33.50	13.80	27.00	10000
IVPC10-N6-4	3/8	1/4	33.50	10.40	27.00	10000
IVPC10-N8-8	1/2	1/2	43.60	16.80	32.00	10000
IVPC10-N8-4	1/2	1/4	39.00	10.40	32.00	10000
IVPC10-N8-6	1/2	3/8	39.00	13.80	32.00	10000
IVPC10-N12-12	3/4	3/4	46.50	22.50	38.00	10000
IVPC10-N12-4	3/4	1/4	40.00	10.40	38.00	10000
IVPC10-N12-6	3/4	3/8	40.00	13.80	38.00	10000
IVPC10-N12-8	3/4	1/2	45.50	16.80	38.00	10000
IVPC10-N16-16	1	1	55.50	28.00	45.00	10000
IVPC10-N16-8	1	1/2	49.80	16.80	45.00	10000
IVPC10-N16-12	1	3/4	50.60	22.50	45.00	10000

# HEX COUPLINGS (ROUND BODY) IVPCR-N



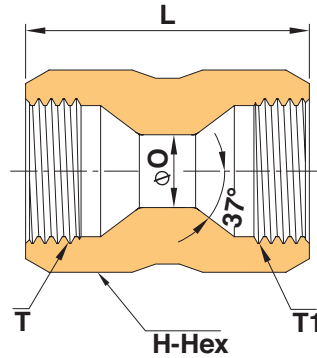
## FEMALE NPT THREADS – 3000 psi

Part Number	T-NPT Inch	T1-NPT Inch	L mm	D-Dia. mm	Nominal Working Pressure psi
IVPCR3-N2-2	1/8	1/8	24.00	17.00	3000
IVPCR3-N4-4	1/4	1/4	33.50	20.00	3000
IVPCR3-N6-6	3/8	3/8	33.50	24.00	3000
IVPCR3-N8-8	1/2	1/2	45.00	29.00	3000
IVPCR3-N12-12	3/4	3/4	50.00	35.00	3000
IVPCR3-N12-12	1	1	58.00	44.00	3000

## FEMALE NPT THREADS – 6000 psi

Part Number	T-NPT Inch	T1-NPT Inch	L mm	D-Dia. mm	Nominal Working Pressure psi
IVPCR6-N2-2	1/8	1/8	24.00	19.00	6000
IVPCR6-N4-4	1/4	1/4	33.50	22.00	6000
IVPCR6-N6-6	3/8	3/8	33.50	25.00	6000
IVPCR6-N8-8	1/2	1/2	45.00	32.00	6000
IVPCR6-N12-12	3/4	3/4	50.00	38.00	6000
IVPCR6-N12-12	1	1	58.00	49.00	6000

# HEX COUPLINGS IVPC-J



## FEMALE JIC – 6000 psi

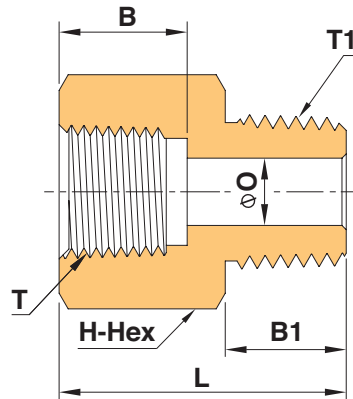
Part Number	T-SAE/MS Inch	T1-SAE/MS Inch	L mm	O-Min. mm	H-Hex. Width mm	Nominal Working Pressure psi
IVPC6-J4	7/16-20	7/16-20	31.50	5.00	14.00	6000
IVPC6-J6	9/16-18	9/16-18	34.00	8.50	18.00	6000
IVPC6-J6-4	9/16-18	7/16-20	32.00	5.00	18.00	6000
IVPC6-J8	3/4-16	3/4-16	37.50	11.00	22.00	6000
IVPC6-J8-6	3/4-16	9/16-18	35.50	9.00	22.00	6000
IVPC6-J12	1.1/16-12	1.1/16-12	46.00	18.00	32.00	6000
IVPC6-J16	1.5/16-12	1.5/16-12	50.00	24.00	38.00	6000
IVPC6-J16-12	1.5/16-12	1.1/16-12	48.00	18.00	38.00	6000

## FEMALE JIC – 10000 psi

Part Number	T-SAE/MS Inch	T1-SAE/MS Inch	L mm	O-Min. mm	H-Hex. Width mm	Nominal Working Pressure psig
IVPC10-J4	7/16-20	7/16-20	31.50	4.30	14.00	10000
IVPC10-J6	9/16-18	9/16-18	34.00	7.50	18.00	10000
IVPC10-J6-4	9/16-18	7/16-20	32.00	4.30	18.00	10000
IVPC10-J8	3/4-16	3/4-16	37.50	9.90	22.00	10000
IVPC10-J8-6	3/4-16	9/16-18	35.50	7.50	22.00	10000
IVPC10-J12	1.1/16-12	1.1/16-12	46.00	15.50	32.00	10000
IVPC10-J16	1.5/16-12	1.5/16-12	50.00	21.40	38.00	10000
IVPC10-J16-12	1.5/16-12	1.1/16-12	48.00	15.50	38.00	10000

**Note:** Other than above shown threads fittings are available up on request.

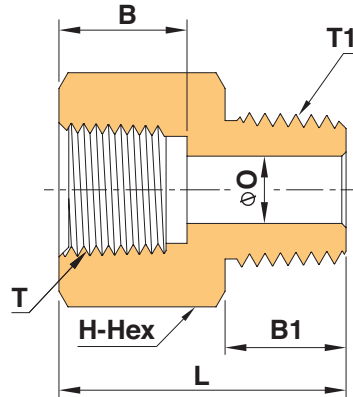
## ADAPTERS IVPA-N



### FEMALE NPT x MALE NPT THREADS – 6000 psi

Part Number	T-NPT Female Inch	T1-NPT Male Inch	L mm	B mm	B1 mm	O-Min. mm	H-Hex. Width mm	Nominal Working Pressure psi
IVPA6-N2F-2M	1/8	1/8	24.00	10.50	10.00	4.80	14.00	6000
IVPA6-N2F-4M	1/8	1/4	29.00	10.50	14.50	6.40	22.00	6000
IVPA6-N4F-2M	1/4	1/8	32.00	15.00	10.00	4.80	22.00	6000
IVPA6-N4F-4M	1/4	1/4	35.00	15.00	14.50	6.40	22.00	6000
IVPA6-N6F-4M	3/8	1/4	36.00	15.00	14.50	6.40	25.00	6000
IVPA6-N6F-6M	3/8	3/8	36.00	15.00	14.50	7.90	25.00	6000
IVPA6-N8F-4M	1/2	1/4	43.00	20.00	14.50	6.40	27.00	6000
IVPA6-N8F-6M	1/2	3/8	43.00	20.00	14.50	7.90	27.00	6000
IVPA6-N8F-8M	1/2	1/2	48.00	20.00	19.50	9.60	27.00	6000
IVPA6-N12F-8M	3/4	1/2	48.00	21.00	19.50	9.60	36.00	6000
IVPA6-N12F-12M	3/4	3/4	48.00	21.00	19.50	14.80	36.00	6000
IVPA6-N16F-8M	1	1/2	53.00	26.00	19.50	9.60	41.00	6000
IVPA6-N16F-12M	1	3/4	53.00	26.00	19.50	14.80	41.00	6000
IVPA6-N16F-16M	1	1	58.00	26.00	24.00	19.50	41.00	6000

## ADAPTERS IVPA-N



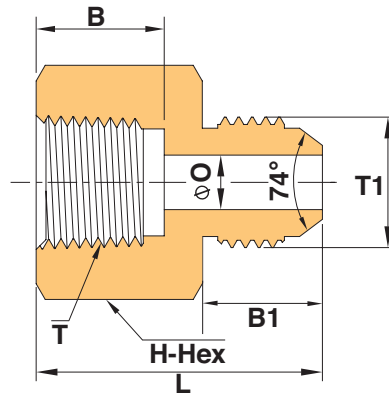
### FEMALE NPT x MALE NPT THREADS – 10000 psi

Part Number	T-NPT Female Inch	T1-NPT Male Inch	L mm	B mm	B1 mm	O-Min. mm	H-Hex. Width mm	Nominal Working Pressure psi
IVPA10-N2F-2M	1/8	1/8	24.00	10.50	10.00	4.00	16.00	10000
IVPA10-N2F-4M	1/8	1/4	29.00	10.50	14.50	4.40	16.00	10000
IVPA10-N4F-2M	1/4	1/8	32.00	15.00	10.00	4.00	24.00	10000
IVPA10-N4F-4M	1/4	1/4	35.00	15.00	14.50	4.40	24.00	10000
IVPA10-N4F-6M	1/4	3/8	35.00	15.00	14.50	5.80	24.00	10000
IVPA10-N6F-4M	3/8	1/4	36.00	15.00	14.50	4.40	27.00	10000
IVPA10-N6F-6M	3/8	3/8	36.00	15.00	14.50	5.80	27.00	10000
IVPA10-N6F-8M	3/8	1/2	41.00	15.00	19.50	7.90	27.00	10000
IVPA10-N8F-4M	1/2	1/4	43.00	20.00	14.50	4.40	32.00	10000
IVPA10-N8F-6M	1/2	3/8	43.00	20.00	14.50	5.80	32.00	10000
IVPA10-N8F-8M	1/2	1/2	48.00	20.00	19.50	7.90	32.00	10000
IVPA10-N8F-12M	1/2	3/4	48.00	20.00	19.50	9.60	32.00	10000
IVPA10-N12F-8M	3/4	1/2	48.00	21.00	19.50	7.90	36.00	10000
IVPA10-N12F-12M	3/4	3/4	48.00	21.00	19.50	9.60	36.00	10000
IVPA10-N12F-16M	3/4	1	53.00	21.00	24.00	11.90	36.00	10000
IVPA10-N16F-8M	1	1/2	53.00	26.00	19.50	7.90	41.00	10000
IVPA10-N16F-12M	1	3/4	53.00	26.00	19.50	9.60	41.00	10000
IVPA10-N16F-16M	1	1	58.00	26.00	24.00	11.90	41.00	10000

**Note:** Other than above shown threads fittings are available up on request.



## ADAPTERS IVPA-N-J

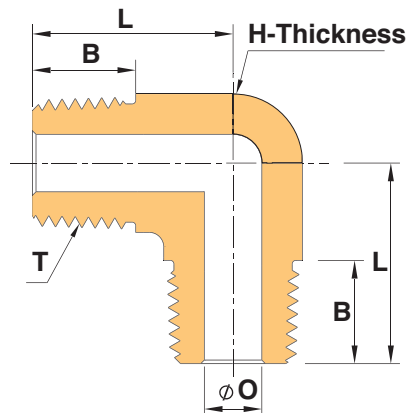


FEMALE NPT THREADS x MALE JIC -10000 psi

Part Number	T-NPT Female Inch	T1-SAE/MS Male Inch	L mm	B mm	B1 mm	O-Min. mm	H-Hex. Width mm	Nominal Working Pressure psi
IVPA10-N2F-J4M	1/8	7/16-20	28.00	10.50	14.00	4.40	16.00	10000
IVPA10-N4F-J4M	1/4	7/16-20	34.00	15.00	14.00	4.40	24.00	10000
IVPA10-N4F-J6M	1/4	9/16-18	34.00	15.00	14.10	5.80	24.00	10000
IVPA10-N6F-J6M	3/8	9/16-18	35.00	15.00	14.10	5.80	28.00	10000
IVPA10-N6F-J8M	3/8	3/4-16	38.00	15.00	17.00	8.0	28.00	10000
IVPA10-N8F-J8M	1/2	3/4-16	44.00	20.00	17.00	8.0	35.00	10000
IVPA10-N8F-J12M	1/2	1.1/16-12	49.00	20.00	22.00	11.60	35.00	10000
IVPA10-N12F-J12M	3/4	1.1/16-12	48.00	21.00	22.00	15.50	38.00	10000
IVPA10-N16F-J16M	1	1.5/16-12	55.00	25.50	23.00	21.40	45.00	10000

**Note:** Other than above shown threads fittings are available up on request.

## MALE ELBOWS IVPME-N



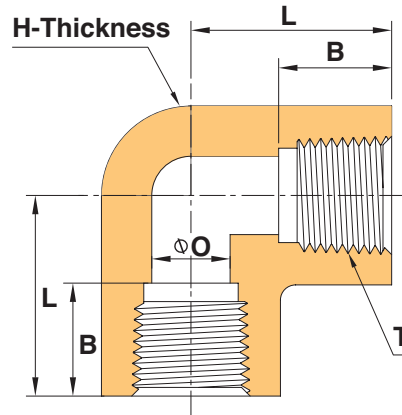
### MALE NPT THREADS – 6000 psi

Part Number	T-NPT Inch	L mm	B mm	O-Min. mm	H-Hex. Width mm	Nominal Working Pressure psi
IVPME6-N2	1/8	19.00	9.70	4.50	12.00	6000
IVPME6-N4	1/4	25.50	14.20	5.00	14.00	6000
IVPME6-N6	3/8	28.00	14.20	7.00	17.00	6000
IVPME6-N8	1/2	37.00	19.00	10.00	22.00	6000
IVPME6-N12	3/4	40.00	19.00	12.00	27.00	6000
IVPME6-N16	1	48.00	24.00	16.00	32.00	6000

### MALE NPT THREADS – 10000 psi

Part Number	T-NPT Inch	L mm	B mm	O-Min. mm	H-Hex. Width mm	Nominal Working Pressure psi
IVPME10-N2	1/8	19.00	9.70	4.00	13.00	10000
IVPME10-N4	1/4	25.50	14.20	4.40	16.00	10000
IVPME10-N6	3/8	28.00	14.20	5.80	19.00	10000
IVPME10-N8	1/2	37.00	19.00	7.90	26.00	10000
IVPME10-N12	3/4	40.00	19.00	9.60	35.00	10000
IVPME10-N16	1	48.00	24.00	11.90	38.00	10000

## FEMALE ELBOWS IVPFE-N



### FEMALE NPT THREADS – 6000 psi

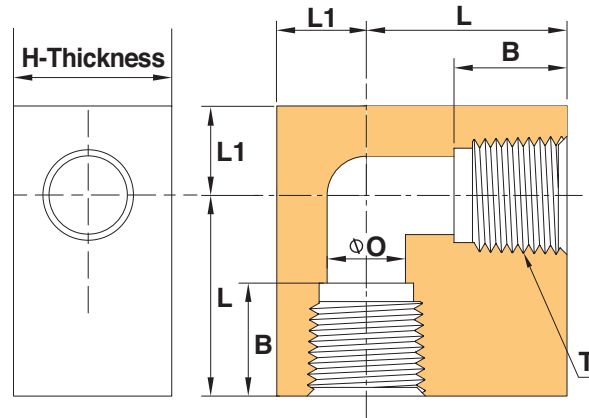
Part Number	T-NPT Inch	L mm	B mm	O-Min. mm	H-Hex. Width mm	Nominal Working Pressure psi
IVPFE6-N2	1/8	19.00	11.00	4.80	16.00	6000
IVPFE6-N4	1/4	25.50	15.00	6.40	19.00	6000
IVPFE6-N6	3/8	31.00	15.00	7.90	25.00	6000
IVPFE6-N8	1/2	38.00	20.00	9.60	27.00	6000
IVPFE6-N12	3/4	38.00	20.00	14.80	36.00	6000
IVPFE6-N16	1	48.00	25.00	19.50	41.00	6000

### FEMALE NPT THREADS –10000 psi

Part Number	T-NPT Inch	L mm	B mm	O-Min. mm	H-Hex. Width mm	Nominal Working Pressure psi
IVPFE10-N2	1/8	19.00	11.00	4.00	17.00	10000
IVPFE10-N4	1/4	25.50	15.00	6.00	22.00	10000
IVPFE10-N6	3/8	31.00	15.00	7.00	27.00	10000
IVPFE10-N8	1/2	38.00	20.00	8.00	32.00	10000
IVPFE10-N12	3/4	38.00	20.00	10.00	41.00	10000
IVPFE10-N16	1	48.00	25.00	16.00	45.00	10000

**Note:** Other than above shown threads fittings are available up on request.

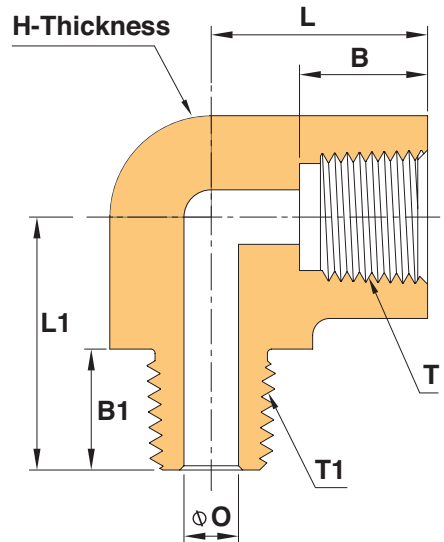
# FEMALE BLOCK ELBOWS IVPFBE-N



FEMALE NPT THREADS – 10000 psi

Part Number	T-NPT Inch	L mm	L1 mm	B mm	O-Min. mm	H-Block Width mm	Nominal Work- ing Pressure psi
IVPFBE10-N2	1/8	19.00	8.00	11.00	4.00	25.00	10000
IVPFBE10-N4	1/4	25.00	16.00	15.00	5.00	32.00	10000
IVPFBE10-N6	3/8	31.00	16.00	15.00	6.00	32.00	10000
IVPFBE10-N8	1/2	38.00	13.00	20.00	8.00	36.00	10000
IVPFBE10-N12	3/4	38.00	24.00	20.00	10.00	46.00	10000
IVPFBE10-N16	1	48.00	28.00	25.00	12.00	60.00	10000

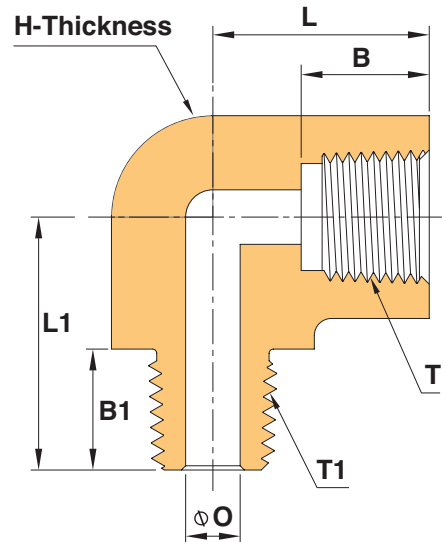
# STREET ELBOWS IVPSE-N



FEMALE NPT x MALE NPT THREADS -6000 psi

Part Number	T-NPT Female inch	T1-NPT Male inch	L mm	L1 mm	B mm	B1 mm	O-min. mm	H-Hex width mm	Nominal Working Pressure psi
IVPSE6-N2F-2M	1/8	1/8	19.00	19.00	10.40	9.70	4.00	12.00	6000
IVPSE6-N2F-4M	1/8	1/4	20.00	26.00	10.40	14.20	4.00	14.00	6000
IVPSE6-N2F-6M	1/8	3/8	24.00	27.00	10.40	14.20	4.00	16.00	6000
IVPSE6-N4F-4M	1/4	1/4	25.00	27.00	15.00	14.20	5.00	14.00	6000
IVPSE6-N4F-6M	1/4	3/8	25.00	27.00	15.00	14.20	5.00	16.00	6000
IVPSE6-N4F-8M	1/4	1/2	30.00	36.00	15.00	19.10	5.00	22.00	6000
IVPSE6-N6F-6M	3/8	3/8	30.00	30.00	15.00	14.20	7.00	19.00	6000
IVPSE6-N6F-8M	3/8	1/2	30.00	36.00	15.00	19.10	7.00	22.00	6000
IVPSE6-N6F-12M	3/8	3/4	32.00	40.00	15.00	19.10	7.00	27.00	6000
IVPSE6-N8F-8M	1/2	1/2	38.00	41.00	19.80	19.10	10.00	27.00	6000
IVPSE6-N8F-12M	1/2	3/4	36.00	41.00	19.80	19.10	10.00	27.00	6000
IVPSE6-N8F-16M	1/2	1	38.00	47.50	19.80	23.90	10.00	32.00	6000
IVPSE6-N12F-12M	3/4	3/4	38.00	45.00	20.60	19.10	12.00	32.00	6000
IVPSE6-N12F-16M	3/4	1	42.00	47.50	20.60	23.90	12.00	36.00	6000
IVPSE6-N16F-16M	1	1	48.00	53.00	25.40	23.90	16.00	42.00	6000

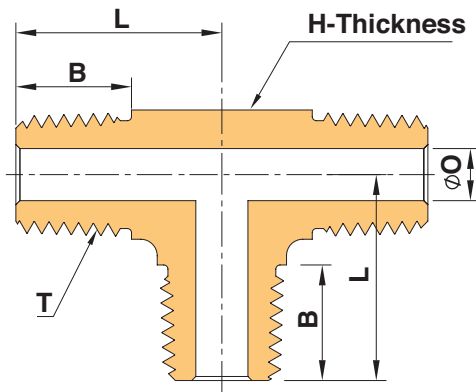
# STREET ELBOWS IVPSE-N



FEMALE NPT x MALE NPT THREADS -10000 psi

Part Number	T-NPT Female inch	T1-NPT Male inch	L mm	L1 mm	B mm	B1 mm	O-min. mm	H-Hex width mm	Nominal Working Pressure psi
IVPSE10-N2F-2M	1/8	3/8	24.00	27.00	10.40	14.20	3.50	19.00	10000
IVPSE10-N2F-4M	1/8	1/8	19.00	19.00	10.40	9.70	3.50	16.00	10000
IVPSE10-N2F-6M	1/8	1/4	20.00	26.00	10.40	14.20	3.50	16.00	10000
IVPSE10-N4F-4M	1/4	1/4	25.00	27.00	15.00	14.20	4.00	19.00	10000
IVPSE10-N4F-6M	1/4	3/8	25.00	27.00	15.00	14.20	4.00	19.00	10000
IVPSE10-N4F-8M	1/4	1/2	30.00	36.00	15.00	19.10	4.00	26.00	10000
IVPSE10-N6F-6M	3/8	3/8	30.00	30.00	15.00	14.20	6.00	26.00	10000
IVPSE10-N6F-8M	3/8	1/2	30.00	36.00	15.00	19.10	6.00	26.00	10000
IVPSE10-N6F-12M	3/8	3/4	32.00	40.00	15.00	19.10	6.00	35.00	10000
IVPSE10-N8F-8M	1/2	1/2	38.00	41.00	19.80	19.10	8.00	35.00	10000
IVPSE10-N8F-12M	1/2	3/4	36.00	41.00	19.80	19.10	8.00	35.00	10000
IVPSE10-N8F-16M	1/2	1	38.00	47.50	19.80	23.90	8.00	35.00	10000
IVPSE10-N12F-12M	3/4	3/4	38.00	45.00	20.60	19.10	10.00	38.00	10000
IVPSE10-N12F-16M	3/4	1	42.00	47.50	20.60	23.90	10.00	38.00	10000
IVPSE10-N16F-16M	1	1	48.00	53.00	25.40	23.90	12.00	46.00	10000

## MALE TEES IVPMT-N



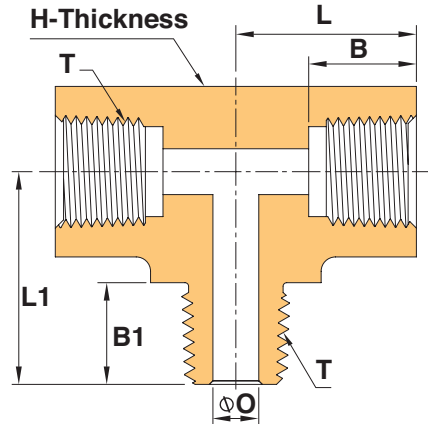
### MALE NPT THREADS -6000 psi

Part Number	T-NPT Inch	L mm	B mm	O-Min. mm	H-Hex. Width mm	Nominal Working Pressure psi
IVPMT6-N2	1/8	19.00	9.700	4.00	11.00	6000
IVPMT6-N4	1/4	26.00	14.20	5.00	14.00	6000
IVPMT6-N6	3/8	28.00	14.20	7.00	17.00	6000
IVPMT6-N8	1/2	37.00	19.10	10.00	22.00	6000
IVPMT6-N12	3/4	40.00	19.10	12.00	27.00	6000
IVPMT6-N16	1	48.00	23.90	16.00	32.00	6000

### MALE NPT THREADS -10000 psi

Part Number	T-NPT Inch	L mm	B mm	O-Min. mm	H-Hex. Width mm	Nominal Working Pressure psi
IVPMT10-N2	1/8	19.00	9.700	3.50	13.00	10000
IVPMT10-N4	1/4	26.00	14.20	4.00	16.00	10000
IVPMT10-N6	3/8	28.00	14.20	6.00	19.00	10000
IVPMT10-N8	1/2	37.00	19.10	8.00	26.00	10000
IVPMT10-N12	3/4	40.00	19.10	10.00	35.00	10000
IVPMT10-N16	1	48.00	23.90	12.00	38.00	10000

# MALE BRANCH TEES IVPMBT-N



## NPT THREADS – 6000 psi

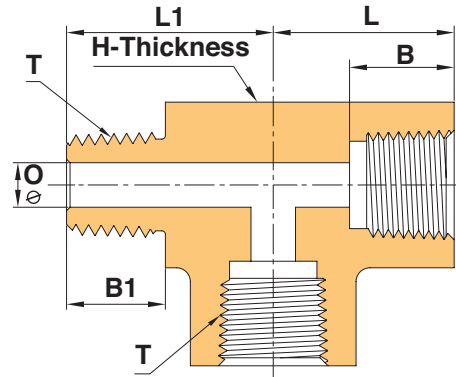
Part Number	T-NPT Inch	L mm	L1 mm	B mm	B1 mm	O-Min. mm	H-Hex. Width mm	Nominal Working Pressure psi
IVPMBT6-N2	1/8	19.00	19.00	10.40	9.70	4.00	14.00	6000
IVPMBT6-N4	1/4	26.00	27.00	15.00	14.20	5.00	19.00	6000
IVPMBT6-N6	3/8	31.00	31.00	15.00	14.20	7.00	22.00	6000
IVPMBT6-N8	1/2	38.00	41.00	19.80	19.10	10.00	27.00	6000
IVPMBT6-N12	3/4	38.00	45.00	20.60	19.10	12.00	32.00	6000
IVPMBT6-N16	1	49.00	53.00	25.40	23.90	16.00	38.00	6000

## NPT THREADS – 10000 psi

Part Number	T-NPT Inch	L mm	L1 mm	B mm	B1 mm	O-Min. mm	H-Hex. Width mm	Nominal Working Pressure psi
IVPMBT10-N2	1/8	19.00	19.00	10.40	9.70	3.50	16.00	10000
IVPMBT10-N4	1/4	26.00	27.00	15.00	14.20	4.00	22.00	10000
IVPMBT10-N6	3/8	31.00	31.00	15.00	14.20	6.00	25.00	10000
IVPMBT10-N8	1/2	38.00	41.00	19.80	19.10	8.00	32.00	10000
IVPMBT10-N12	3/4	38.00	45.00	20.60	19.10	10.00	41.00	10000
IVPMBT10-N16	1	49.00	53.00	25.40	23.90	12.00	45.00	10000



# MALE STREET TEES IVPMST-N



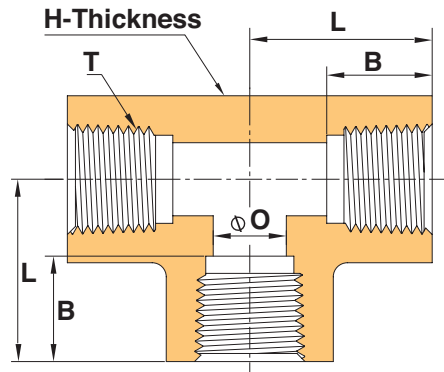
## NPT THREADS – 6000 psi

Part Number	T-NPT Inch	L mm	L1 mm	B mm	B1 mm	O-Min. mm	H-Hex. Width mm	Nominal Working Pressure psi
IVPMST6-N2	1/8	19.00	19.00	10.40	9.70	4.00	14.00	6000
IVPMST6-N4	1/4	26.00	27.00	15.00	14.20	5.00	19.00	6000
IVPMST6-N6	3/8	31.00	31.00	15.00	14.20	7.00	22.00	6000
IVPMST6-N8	1/2	38.00	41.00	19.80	19.10	10.00	27.00	6000
IVPMST6-N12	3/4	38.00	45.00	20.60	19.10	12.00	32.00	6000
IVPMST6-N16	1	49.00	53.00	25.40	23.90	16.00	38.00	6000

## NPT THREADS – 10000 psi

Part Number	T-NPT Inch	L mm	L1 mm	B mm	B1 mm	O-Min. mm	H-Hex. Width mm	Nominal Working Pressure psi
IVPMST10-N2	1/8	19.00	19.00	10.40	9.70	3.50	16.00	10000
IVPMST10-N4	1/4	26.00	27.00	15.00	14.20	4.00	22.00	10000
IVPMST10-N6	3/8	31.00	31.00	15.00	14.20	6.00	25.00	10000
IVPMST10-N8	1/2	38.00	41.00	19.80	19.10	8.00	32.00	10000
IVPMST10-N12	3/4	38.00	45.00	20.60	19.10	10.00	38.00	10000
IVPMST10-N16	1	49.00	53.00	25.40	23.90	12.00	45.00	10000

## FEMALE TEES IVPFT-N



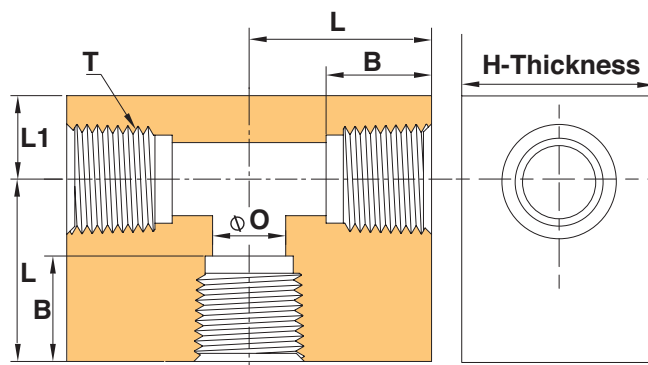
### FEMALE NPT THREADS – 6000 psi

Part Number	T-NPT Inch	L mm	B mm	O-Min. mm	H-Hex. Width mm	Nominal Working Pressure psi
IVPFT6-N2	1/8	19.00	10.40	4.00	16.00	6000
IVPFT6-N4	1/4	26.00	15.00	5.00	19.00	6000
IVPFT6-N6	3/8	31.00	15.00	7.00	22.00	6000
IVPFT6-N8	1/2	39.00	19.80	10.00	27.00	6000
IVPFT6-N12	3/4	39.00	20.60	12.00	32.00	6000
IVPFT6-N16	1	49.00	25.40	16.00	38.00	6000

### FEMALE NPT THREADS – 10000 psi

Part Number	T-NPT Inch	L mm	B mm	O-Min. mm	H-Hex. Width mm	Nominal Working Pressure psi
IVPFT10-N2	1/8	19.00	10.40	3.50	16.00	10000
IVPFT10-N4	1/4	26.00	15.00	4.00	19.00	10000
IVPFT10-N6	3/8	31.00	15.00	6.00	25.00	10000
IVPFT10-N8	1/2	39.00	19.80	8.00	27.00	10000
IVPFT10-N12	3/4	39.00	20.60	10.00	36.00	10000
IVPFT10-N16	1	49.00	25.40	14.00	42.00	10000

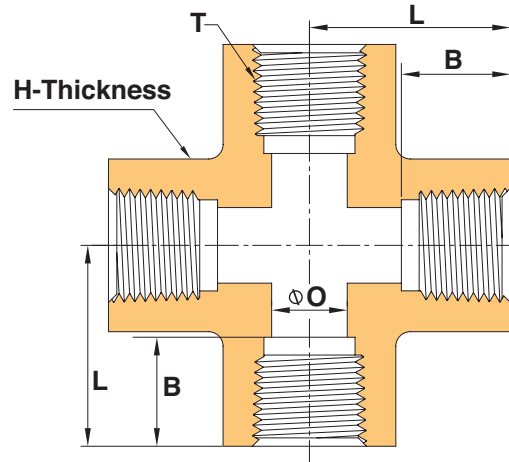
## FEMALE BLOCK TEES IVPFBT-N



FEMALE NPT THREADS -10000 psi

Part Number	T-NPT Inch	L mm	L1 mm	B mm	O-Min. mm	H-Block Width mm	Nominal Work- ing Pressure psi
IVPFBT10-N2	1/8	19.00	9.00	10.40	3.50	25.00	10000
IVPFBT10-N4	1/4	21.50	10.50	15.00	4.00	32.00	10000
IVPFBT10-N6	3/8	25.00	14.00	15.00	6.00	34.00	10000
IVPFBT10-N8	1/2	28.50	14.50	19.80	8.00	36.00	10000
IVPFBT10-N12	3/4	35.00	21.00	20.60	10.00	46.00	10000
IVPFBT10-N16	1	45.00	25.00	25.40	16.00	55.00	10000

## FEMALE CROSSES IVPFX-N



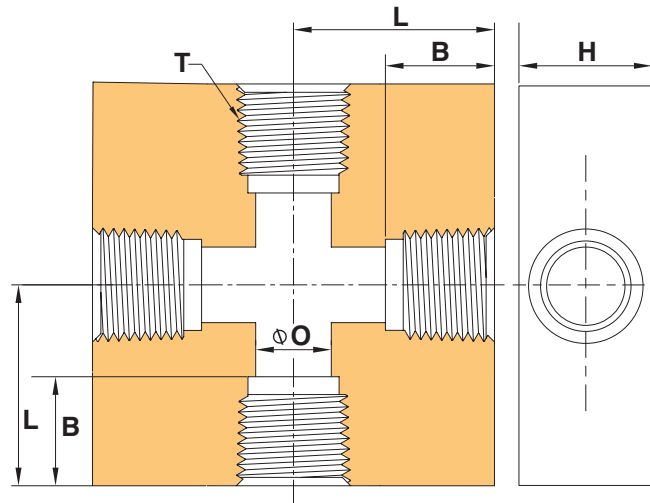
### FEMALE NPT THREADS – 6000 psi

Part Number	T-NPT Inch	L mm	B mm	O-Min. mm	H-Hex. Width mm	Nominal Working Pressure psi
IVPFX6-N2	1/8	19.00	10.40	4.00	16.00	6000
IVPFX6-N4	1/4	26.00	15.00	6.00	22.00	6000
IVPFX6-N6	3/8	31.00	15.00	7.00	25.00	6000
IVPFX6-N8	1/2	39.00	19.80	10.00	27.00	6000
IVPFX6-N12	3/4	39.00	20.60	12.00	32.00	6000
IVPFX6-N16	1	49.00	25.40	18.00	38.00	6000

### FEMALE NPT THREADS – 10000 psi

Part Number	T-NPT Inch	L mm	B mm	O-Min. mm	H-Hex. Width mm	Nominal Working Pressure psi
IVPFX10-N2	1/8	19.00	10.40	3.50	19.00	10000
IVPFX10-N4	1/4	26.00	15.00	4.00	22.00	10000
IVPFX10-N6	3/8	31.00	15.00	6.00	27.00	10000
IVPFX10-N8	1/2	39.00	19.80	8.00	36.00	10000
IVPFX10-N12	3/4	39.00	20.60	10.00	46.00	10000
IVPFX10-N16	1	49.00	25.40	12.00	55.00	10000

# FEMALE BLOCK CROSSES IVPFBX-N



FEMALE NPT THREADS – 10000 psi

Part Number	T-ISO/BSPT Inch	L mm	B mm	O-Min. mm	H-Hex. Width mm	Nominal Working Pressure psi
IVPFBX10-N2	1/8	19.00	10.40	3.50	25.00	10000
IVPFBX10-N4	1/4	22.50	15.00	4.00	32.00	10000
IVPFBX10-N6	3/8	25.50	15.00	6.00	34.00	10000
IVPFBX10-N8	1/2	35.00	19.80	8.00	36.00	10000
IVPFBX10-N12	3/4	38.00	20.60	10.00	46.00	10000
IVPFBX10-N16	1	45.00	25.40	12.00	55.00	10000







# IDEAL

VALVES AND FITTINGS COMPANY

Manufactured by:

**IDEAL Valves & Fittings Co.,**  
Balaji Industrial Park  
Gala No.C/18, Tondre Behind Hindalco Co., MIDC,  
Taloja , Panavel, Raigad District,  
Maharashtra, India

mail to : [idealvalves@gmail.com](mailto:idealvalves@gmail.com)

